



**OPERATING AND MAINTENANCE INSTRUCTIONS/
SPARE PARTS**

EDITION 01/2017

**Serving the Gas Industry
Worldwide**

Honeywell

Contents		Page
1.	General information	3
2.	Specific maintenance instructions	4
2.1	Pressure-compensating diaphragm	4
2.2	Valve rod	4
2.3	Tightening torques	5
2.4	Lubricants	5
2.5	Screw locking devices	
3.	Spare parts	
3.1.1.1	Spare parts drawings HON 372 DN 25 and DN 50 - K1a/K2a	6
3.1.1.2	Spare parts drawings HON 372 DN 25 and DN 50 - K16/K17	7
3.1.2	Spare parts drawings HON 372 DN 25 and DN 50	8, 9
3.2.1	Spare parts drawings HON 372 DN 80 through DN 150	10
3.2.2	Spare parts drawings HON 372 DN 80 through DN 150	11, 12
3.3.1	Spare parts drawing regulating assembly 1	13
3.3.2	Spare parts list regulating assembly 1	14, 15
3.4.1	Spare parts drawing regulating assembly 2	16
3.4.2	Spare parts list regulating assembly 2	17, 18
3.5.1	Spare parts drawing regulating assembly 3	19
3.5.2	Spare parts list regulating assembly 3	20, 21
3.6.1.1	Spare parts drawing actuator K1a	22
3.6.1.2	Spare parts drawing detail Z	23
3.6.1.3	Spare parts drawing SSV flap	23
3.6.1.4	Spare parts drawing actuator K2a	24
3.6.2	Spare parts drawing actuator K1a and K2a	25, 26
3.7.1	Spare parts drawing pressure/force transducer	27
3.7.2	Spare parts list pressure/force transducer	28
4.	Parts for maintenance purposes	29, 30, 31

1. General information

All persons involved with the assembly, operation and/or maintenance of the HON 372 gas pressure regulator must read and understand all of the following documents:

- Technical product information 372.00 — this Honeywell document contains the technical data and dimensions of the equipment as well as instructions concerning construction and mode of operation.
- General operating manual for gas pressure regulators and safety devices – this Honeywell document contains information on assembly and operation as well as general information on troubleshooting.
- Operating and maintenance instructions/spare parts 372.20 – this Honeywell document contains more detailed information on assembly and operation of the gas pressure regulator.

There are national laws and regulations for all sorts of jobs on gas pressure governors, from planning to maintenance. Be sure to comply. (In Germany, for instance, DVGW work sheets G 600, G 459/II, G 491 and G 495.)

Inspection and maintenance intervals depend mostly on operating conditions and the nature and properties of the gas. There are no general rules or recommendations for intervals. For Germany, we recommend to consider maintenance intervals as stated in DVGW work sheet G 495 in a first instance. However, in the mid-term, intervals must be adapted to the requirements of each specific equipment.

During maintenance, components must be cleaned and then checked thoroughly. This is necessary even if there have not been any unusual observations during operation and/or functional testing. Checks must focus, in particular, on diaphragms and seals and all movable parts and their respective bearings. Any and all defective parts must be replaced with new ones. The same applies to O rings removed during disassembly.

Do not use any spare/wear parts and/or oils & lubricants not specifically recommended in the Honeywell operating and maintenance instructions for spare parts.



In the event spare/wear parts and/or lubricants & oils other than those specifically recommended are used, Honeywell shall not be liable for any defects and/or consecutive damages attributable to such use of illegal parts, lubricants, oils etc.

Item numbers mentioned in the specific operating and maintenance instructions correspond with the numbers in the spare parts lists and drawings.

Some parts in the lists and drawings are marked with a letter "W". We recommend to always have a reserve of those parts in stock for maintenance purposes. Those spare parts are put together in another separate list at the end of the spare parts list.

1.1 Safety information

In this manual, safety information is highlighted by means of the following titles and eye catchers:

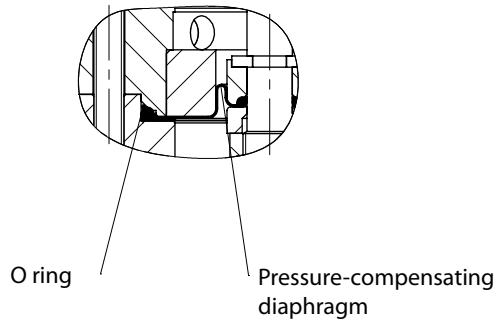
Eye catcher	Used for:
 Danger	Danger to life and limb
 Caution	Danger of damage to property and/or the environment
Note	Important additional information

2. Specific maintenance instructions

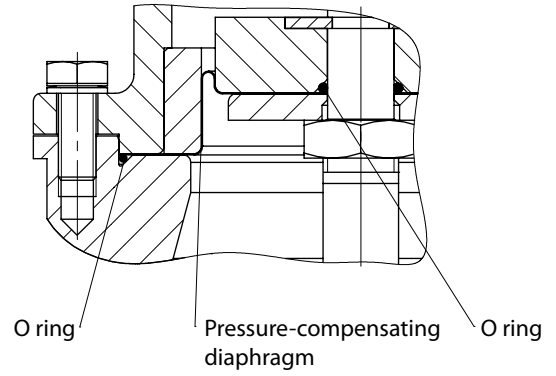
2.1 Pressure-compensating diaphragm

During assembly, observe the correct mounting position of the valve.

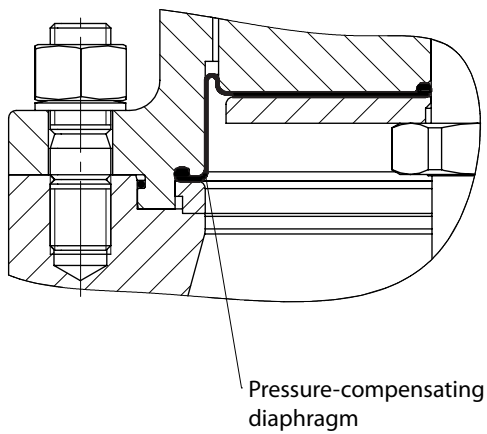
DN 25 and DN 50



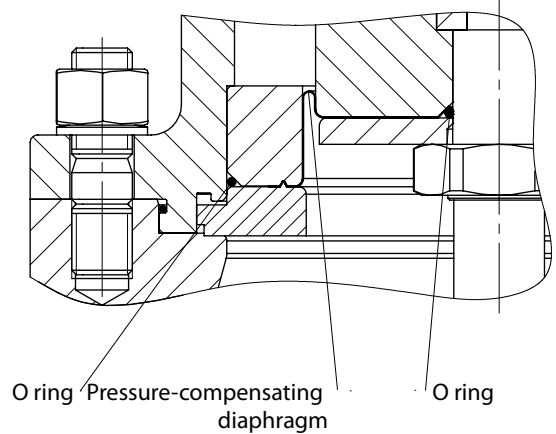
DN 80 and DN 100



DN 150 valve seat – Ø 150

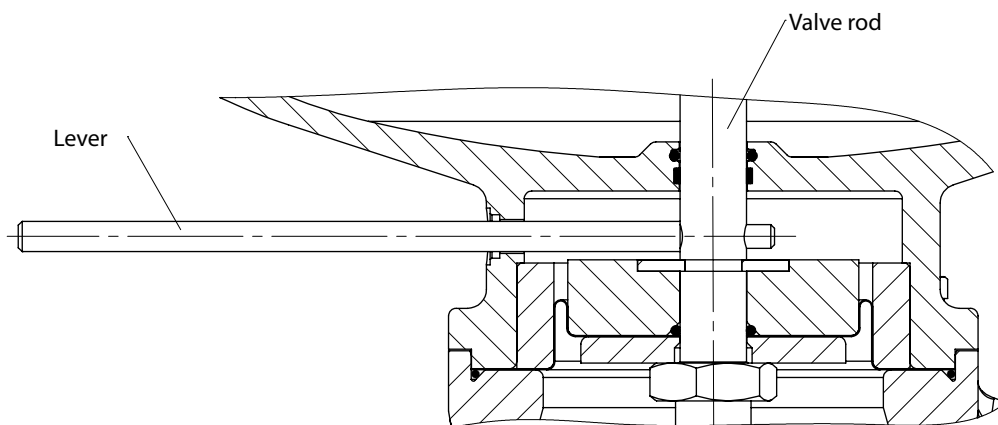


DN 150 valve seat – Ø 100



2.2 Valve stem

In order to secure the diaphragm against unintentional movements when loosening and/or tightening the nut, secure the valve stem accordingly. The valve stem has a transverse bore for that purpose.



2.3 Tightening torques MA

Screws & bolts – item no.	Tightening torques MA in Nm	Screws & bolts – item no.	Tightening torques MA in Nm
1	20	201	20
4	20	202	10
10	20	206	10
21	30	210	20
28	20	235	10
60	30	239	20
63	40	301	20
73	40	302	20
74	40	306	10
101	20	310	30
103	10	338	10
106	5	342	20
110	20	416	10
133	10	418	20
137	20	509	10

2.4 Lubricants

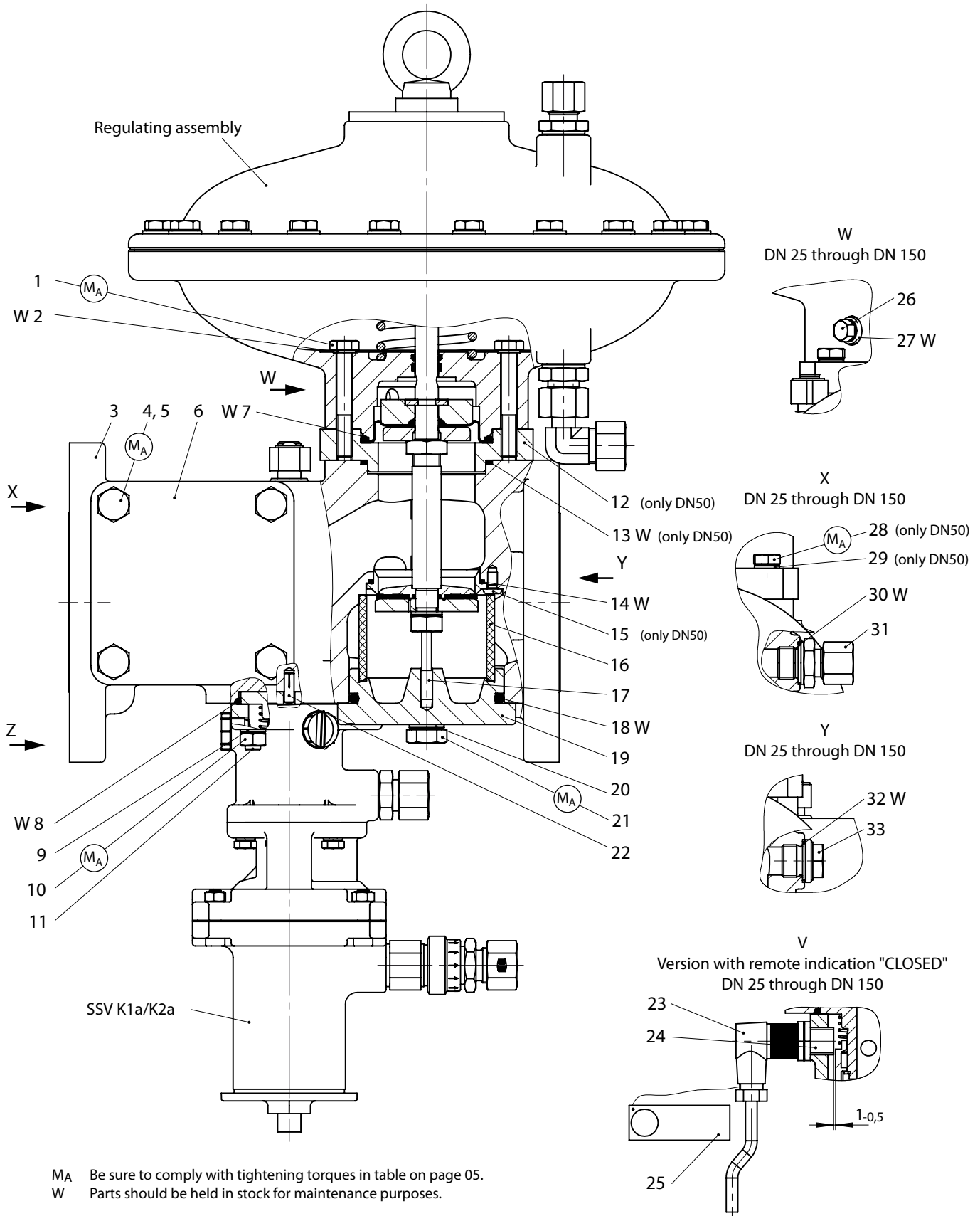
Components	Lubricants	HON part no.
All O rings and all sliding surfaces mounting and loop areas of diaphragms (except diaphragms without beads)	Silicone grease (apply a thin film)	27081
Balls (412, 421) all fastening screws and screwed pipe connections	Silicone grease	27081

2.5. Screw locking methods & devices

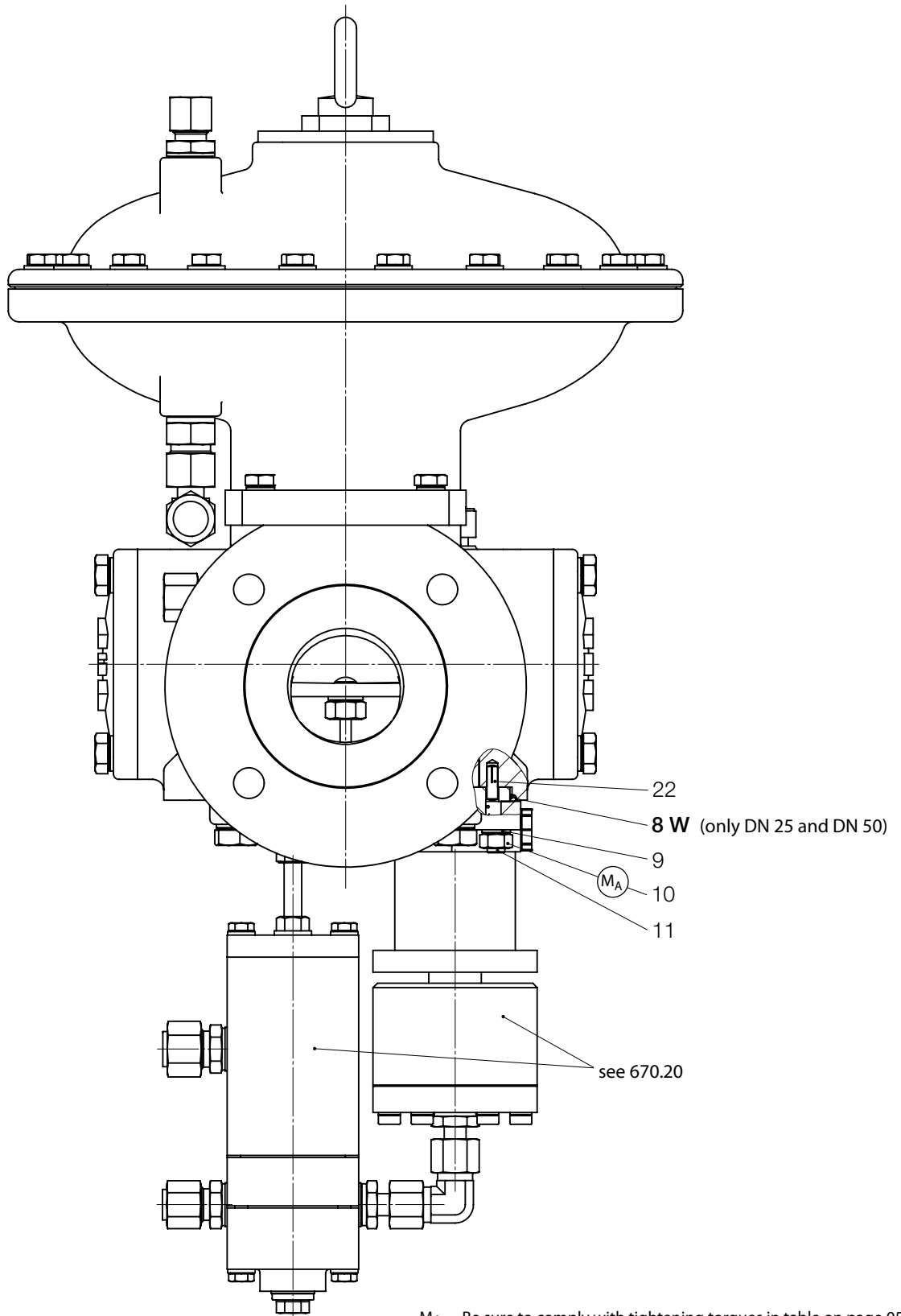
Components	Method/device	HON part no.
Valve cone (413) Eye-bolts (100, 200, 343) Locking screws (11, 77)	WEICONLOCK 302-21	525045

3.1.1.1 Spare parts drawings HON 372 DN 25 and DN 50

Version with SSV K1a/K2a



3.1.1.2 Spare parts drawings HON 372 DN 25 and DN 50
Version with SSV K16/K17



MA Be sure to comply with tightening torques in table on page 05.
W Parts should be held in stock for maintenance purposes.

3.1.2 Spare parts drawings HON 372 DN 25 and DN 50

Item no.	Denomination	Number	W	Materials	Part no.	
					DN 25	DN 50
1	Hex screw	4		St	10398	10398
2	Sealing ring	4	W	LM	18710	18710
3	Body, optional:					
3	Body with SSV; PN16	1		GGG	15055018	15056030
3	Body with SSV; PN16	1		GS	15055003	15056014
3	Body with SSV; PN16	1		GS	15055007	15056025
3	Body with SSV; class 150	1		GGG	15055001	15056013
3	Body with SSV; class 150	1		GS	15055004	15056010
3	Body with SSV; class 150	1		GS	15055008	15056027
3	Body without SSV; PN16	1		GGG	15055019	15056019
3	Body without SSV; PN16	1		GS	15055005	15056023
3	Body without SSV; PN16	1		GS	15055009	15056028
3	Body without SSV; class 150	1		GGG	15055002	15056024
3	Body without SSV; class 150	1		GS	15055006	15056051
3	Body without SSV; class 150	1		GS	15055010	15056029
4	Hex screw	8		St	10630	10630
5	Lock washer	8		St	14121	14121
6	SSV cover, optional:					
6	SSV cover	2		GGG	15056031	15056031
6	SSV cover	2		GS	15056032	15056032
6	SSV cover	2		GS	15056033	15056033
7	O ring	1	W	KG	21261	21261
8	O ring	1	W	KG	20832	20832
9	Lock washer	3		St	14122	14122
10	Hex nut	3		St	5559	5559
11	Locking screw	3		St	12473	12473
12	Clamping plate	1		St		15056008
13	O ring	1	W	KG		20513
14	O ring	1	W	KG	520110	21258
15	Flat head screw	3		St		11145
16	Metal foam ring	1		NSt	15025006	15026027
17	Pin	1		St	15026013	15026013
18	O ring	1	W	KG	21271	520001

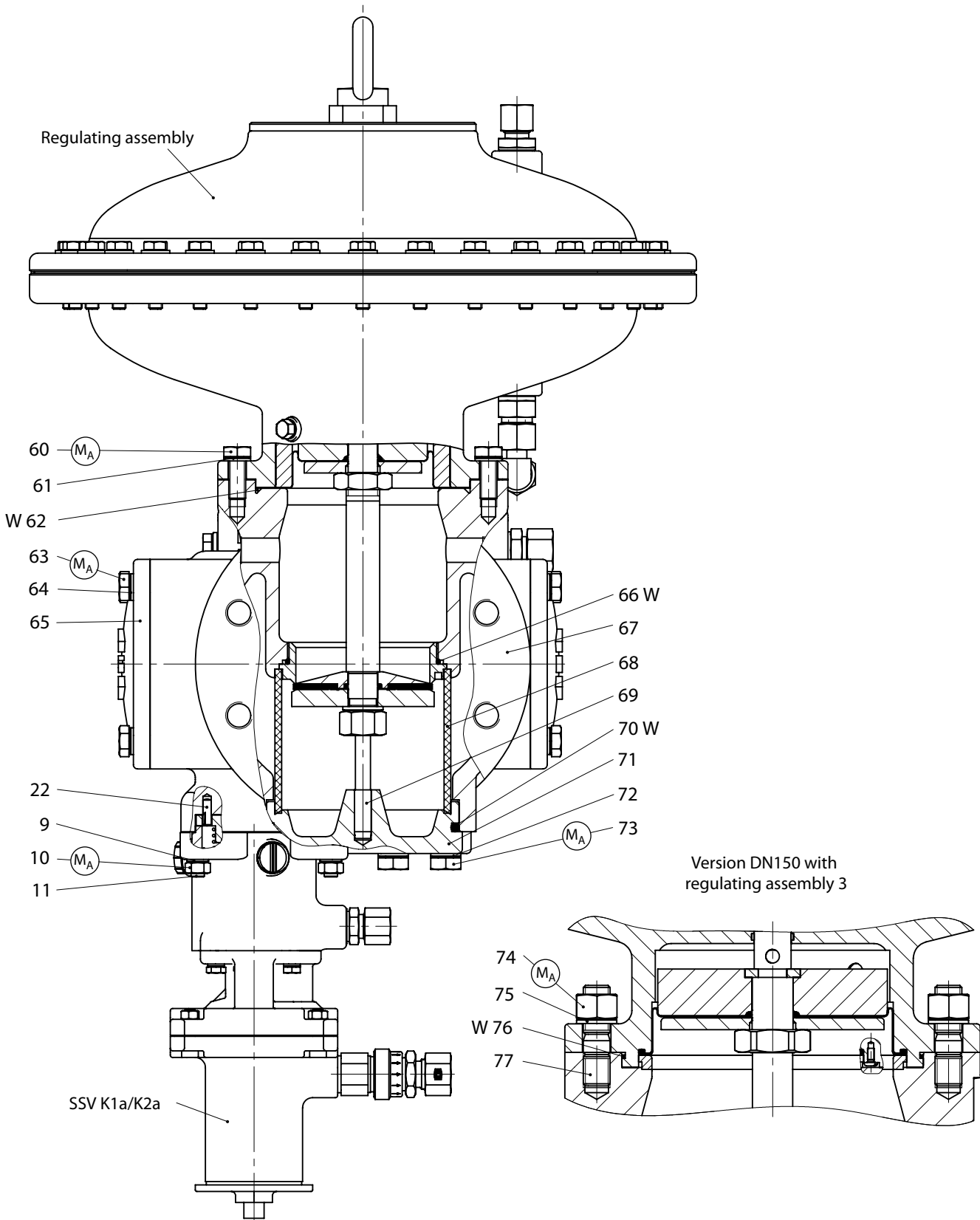
W Parts should be held in stock for maintenance purposes

German abbreviations stand for the following materials:

St ... steel	LM ... light metal/alloy	GMs ... cast brass
NSt ... stainless steel	Ms ... brass	GZn ... cast zinc
FSt ... spring steel	GS ... cast steel	AlBz ... aluminium bronze
NFSt ... stainless spring steel	GGG ... spheroidal graphite cast iron	K ... synthetic materials
Bz ... bronze	GBz ... cast bronze	KG ... gummos synthetic
materials		
Cu ... copper	GLM ... cast light metal	SSt ... foamed materials

Item no.	Denomination	Number	W	Materials	Part no.	
					DN 25	DN 50
19	Cover, optional:					
19	Cap	1		GGG	15055012	15056054
19	Cap	1		GS	15055013	15056055
19	Cap	1		GS	15055014	15056056
20	Lock washer	2		St	14121	14119
21	Hex screw	2		St	10630	510107
22	Dowel pin	2		St	17269	17269
23	Cable box	1			24099	24099
24	Proximity switch	1			24160	24160
25	Relay 230 V, 1 channels	1			24402	24402
25	Relay 230 V, 2 channels	1			24403	24403
26	Sealing cap	1		St	10633	10633
27	O ring	1	W	KG	21250	21250
28	Hex screw	4		St		10066
29	Lock washer	4		St		14122
30	Sealing ring	1	W	LM	518017	518017
31	Screwed connection	1		St	530047	530047
32	Sealing ring	1	W	LM	518017	518017
33	Sealing cap	1		St	10363	10363

3.2.1 Spare parts drawings HON 372 DN 80 thru DN 150



M_A Be sure to comply with tightening torques in table on page 05.

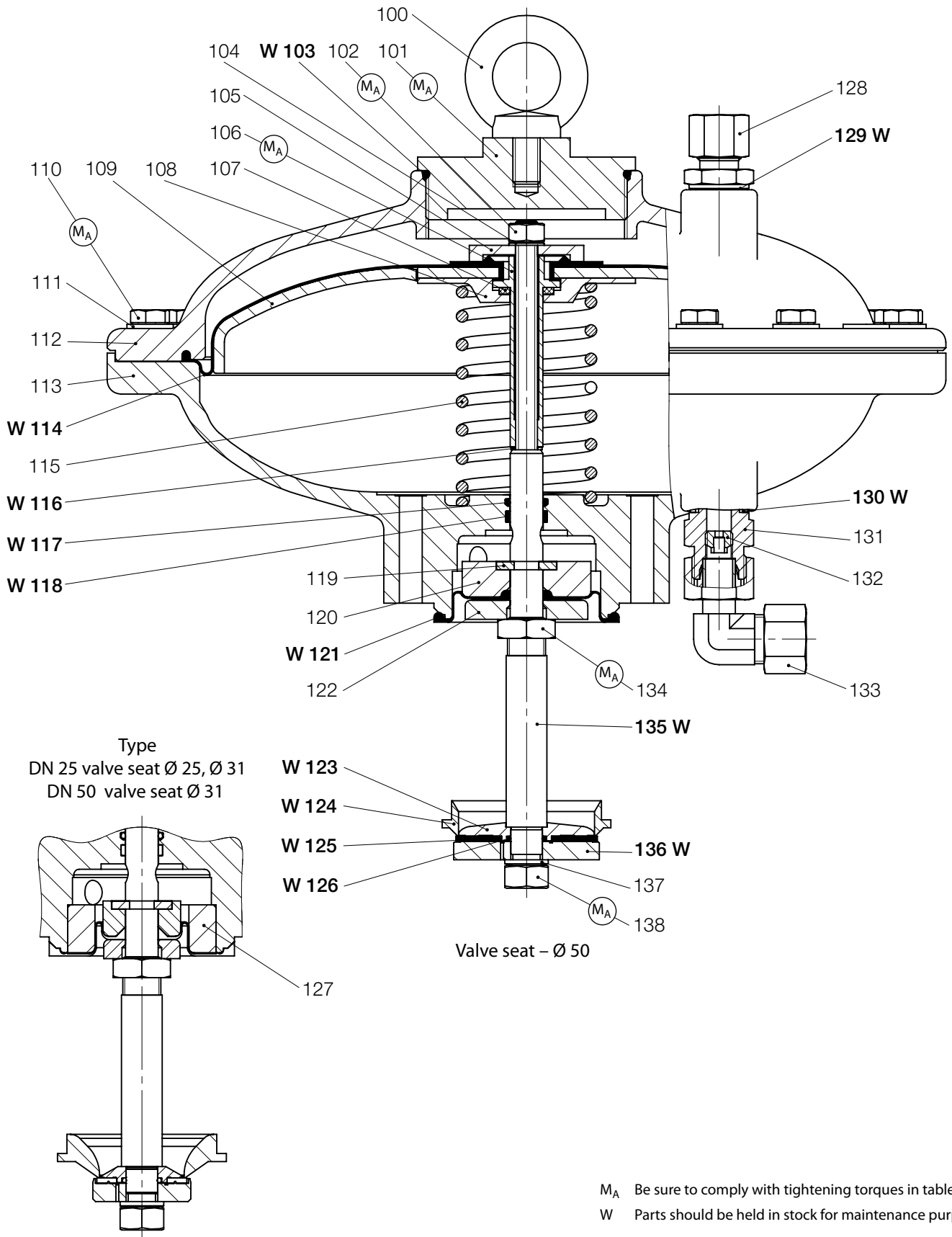
W Parts should be held in stock for maintenance purposes.

3.2.2 Spare parts drawings HON 372 DN 80 through DN 150

Item no.	Denomination	Number	W	Materials	Part no.		
					DN 80	DN 100	DN 150
9	Lock washer	3		St	14122	14122	14122
10	Hex nut	3		St	5559	5559	5559
11	Locking screw	3		St	12473	12473	12473
22	Dowel pin	2		St	17269	17269	17269
23	Cable box	1			24099	24099	24099
24	Proximity switch	1			24160	24160	24160
25	Relay 230 V, 1 channels	1			24402	24402	24402
25	Relay 230 V, 2 channels	1			24403	24403	24403
26	Sealing cap	1		St	10633	10633	10634
27	O ring	1	W	KG	21250	21250	21252
30	Sealing ring	1	W	LM	518017	518017	518017
31	Screwed connection	1		St	530047	530047	530047
32	Sealing ring	1	W	LM	518017	518017	518017
33	Sealing cap	1		St	10363	10363	10363
60	Hex screw	4		St	10630	10630	
61	Lock washer	4		St	14121	14121	
62	O ring	1	W	KG	20428	20428	
63	Hex screw	8		St	10630	510001	510113
64	Lock washer	8		St	14121	14119	14116
65	SSV cover, optional:						
65	SSV cover	2		GGG	15057016	15058013	15059014
65	SSV cover			GS	15057017	15058014	15059015
65	SSV cover			GS	15057018	15058015	15059016
66	O ring	1	W	KG	21263	21266	520082
67	Body, optional:						
67	Body with SSV; PN16	1		GGG	15057101	15058101	15059001
67	Body with SSV; PN16	1		GS	15057103	15058103	15059005
67	Body with SSV; PN16	1		GS	15057105	15058105	15059009
67	Body with SSV; class 150	1		GGG	15057102	15058102	15059002
67	Body with SSV; class 150	1		GS	15057104	15058104	15059006
67	Body with SSV; class 150	1		GS	15057106	15058106	15059010
67	Body without SSV; PN16	1		GGG	15057151	15058151	15059003
67	Body without SSV; PN16	1		GS	15057153	15058153	15059007
67	Body without SSV; PN16	1		GS	15057155	15058155	15059011
67	Body without SSV; class 150	1		GGG	15057152	15058152	15059004
67	Body without SSV; class 150	1		GS	15057154	15058154	15059008
67	Body without SSV; class 150	1		GS	15057156	15058156	15059012

Item no.	Denomination	Number	W	Materials	Part no.		
					DN 80	DN 100	DN 150
68	Metal foam ring	1		NSt	15027023	15028008	15059035
69	Pin	1		NSt	15057025	15057025	15059044
70	O ring	1	W	KG	21272	21267	520107
71	Cover, optional:						
71	Cap	1		GGG	15057020	15058017	15059018
71	Cap	1		GS	15057021	15058018	15059019
71	Cap	1		GS	15057022	15058019	15059020
72	Lock washer	3		St	14119	14119	14116
73	Hex screw	3		St	510001	510001	510113
74	Hex nut	4		St		13183	
75	Lock washer	4		St			14116
76	O ring	1	W	KG			520106
77	Locking screw	4		St			510114

3.3.1 Spare parts drawing regulating assembly 1

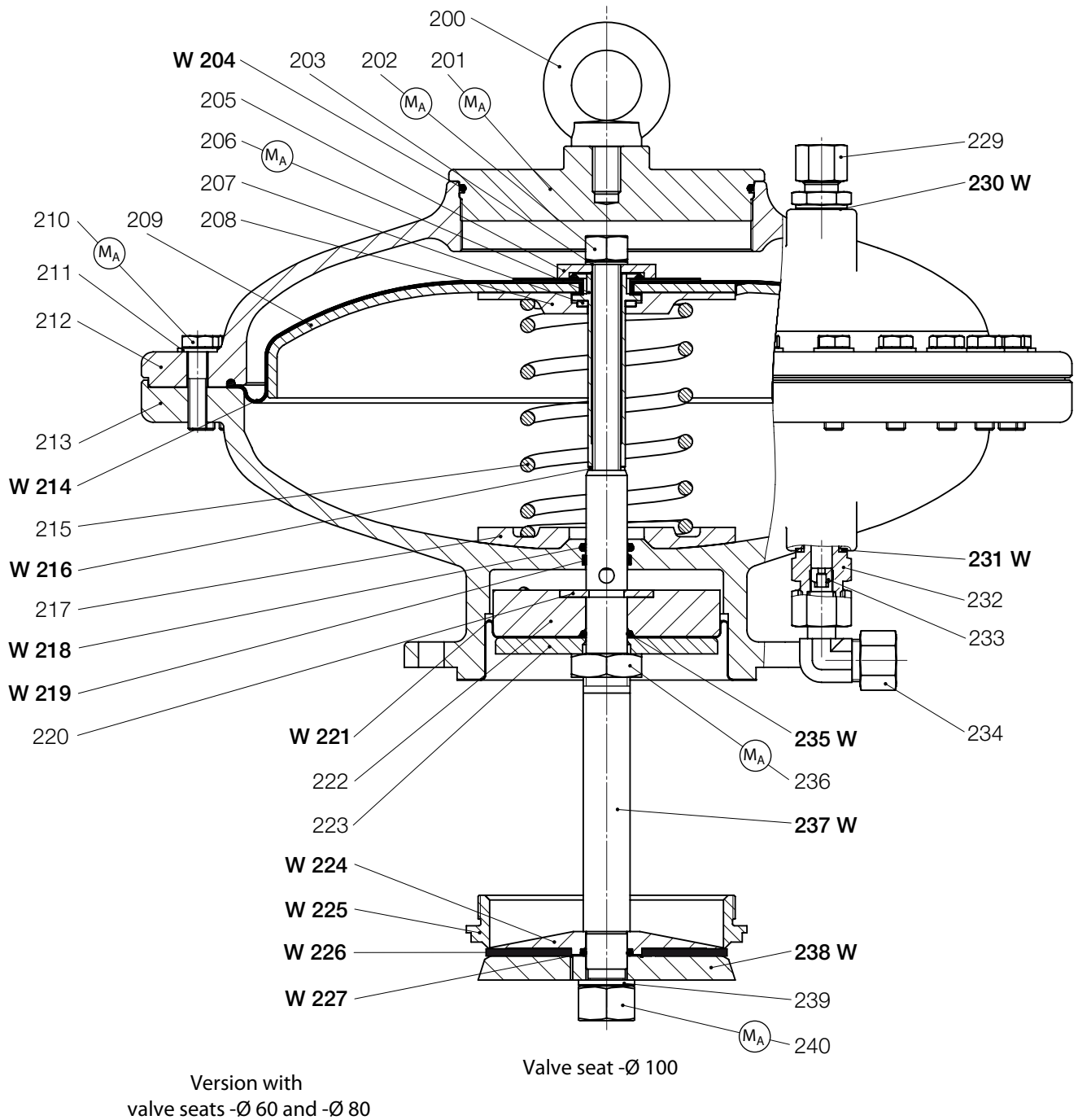


3.3.2 Spare parts list regulating assembly 1

Item no.	Denomination	Number	W	Materials	Part no.	
					DN 25	DN 50
100	Eye bolt	1		St	10487	10487
101	Cover, diaphragm housing	1		LM	15066064	15066064
102	Hex nut	1		St	5559	5559
103	O ring	1	W	KG	520104	520104
104	Lock washer	1		St	14122	14122
105	Valve cone	1		LM	10004992	10004992
106	Clamping bolt	1		NSt	15065001	15065001
107	Axial bearing	1		KG	15026024	15026024
108	Spring plate	1		LM	15065002	15065002
109	Diaphragm disc	1		LM	15056006	15056006
110	Hex screw	20		St	510120	510120
111	Washer	20		St	8281	8281
112	Diaphragm housing, UP	1		GLM	15066004	15066004
113	Diaphragm housing, LP	1		GLM	15066003	15066003
114	Diaphragm	1	W	KG	15056001	15056001
115	Pressure spring	1		FSt	15056093	15056093
116	Sealing ring	1	W	LM	18710	18710
117	O ring	1	W	KG	21252	21252
118	Guide belt	1	W	KG	15056251	15056251
119	Ring segment, optional:					
119	Ring segment for valve seat Ø25	2		Ms	15025018	
119	Ring segment for valve seats Ø31, Ø50	2		St	10008612	10008612
120	Diaphragm plate, optional:					
120	Diaphragm plate for valve seat Ø25	1		LM	15025015	
120	Diaphragm plate for valve seat Ø31	1		LM	15026805	15026805
120	Diaphragm plate for valve seat Ø50	1		LM		15026012
121	Diaphragm, optional:					
121	Diaphragm for valve seat Ø25	1	W	KG	15025011	
121	Diaphragm for valve seat Ø31	1	W	KG	15026801	15026801
121	Diaphragm for valve seat Ø50	1	W	KG		15026002
122	Pressure disc, optional:					
122	Pressure disc for valve seat Ø25	1		LM	15025014	
122	Pressure disc for valve seat Ø31	1		LM	15026804	15026804
122	Pressure disc for valve seat Ø50	1		LM		15026011
123	Valve cone, optional:					
123	Valve cone for valve seat Ø25	1	W	LM	10006184	
123	Valve cone for valve seat Ø31	1	W	LM	10009199	10009199
123	Valve cone for valve seat Ø50	1	W	LM		15056035

Item no.	Denomination	Number	W	Materials	Part no.	
					DN 25	DN 50
124	Valve seat, optional:					
124	Valve seat Ø25	1	W	LM	15025012	
124	Valve seat Ø31	1	W	LM	15025003	15056802
124	Valve seat Ø50	1	W	LM		15056009
125	Sealing ring, optional:					
125	Sealing ring for valve seat Ø25	1	W	KG	10006183	
125	Sealing ring for valve seat Ø31	1	W	KG	10009215	10009215
125	Sealing ring for valve seat Ø50	1	W	KG		10009217
126	O ring	1	W	KG	20451	20451
127	Reducer, optional:					
127	Reducer for valve seat Ø25	1		LM	15055017	
127	Reducer for valve seat Ø31	1		LM	15056803	15056803
128	Screwed connection	1		St	530047	530047
129	Sealing ring	1	W	LM	518017	518017
130	Sealing ring	1	W	LM	518017	518017
131	Threaded adapter	1		St	15065003	15065003
132	Dosing screw	1		NSt	10005098	10005098
133	Screwed connection	1		St	530038	530038
134	Hex nut	1		St	10009045	10009045
135	Valve stem, complete	1	W	NSt/Ms//St	15065300	15066300
136	Valve plate, at option:					
136	Valve plate for valve seat Ø25	1	W	LM	10023463	
136	Valve plate for valve seat Ø31	1	W	LM	10023464	10023464
136	Valve plate for valve seat Ø50	1	W	LM		15026028
137	Lock washer	1		St	14133	14133
138	Hex nut	1		St	5692	5692

3.4.1 Spare parts drawing regulating assembly 2



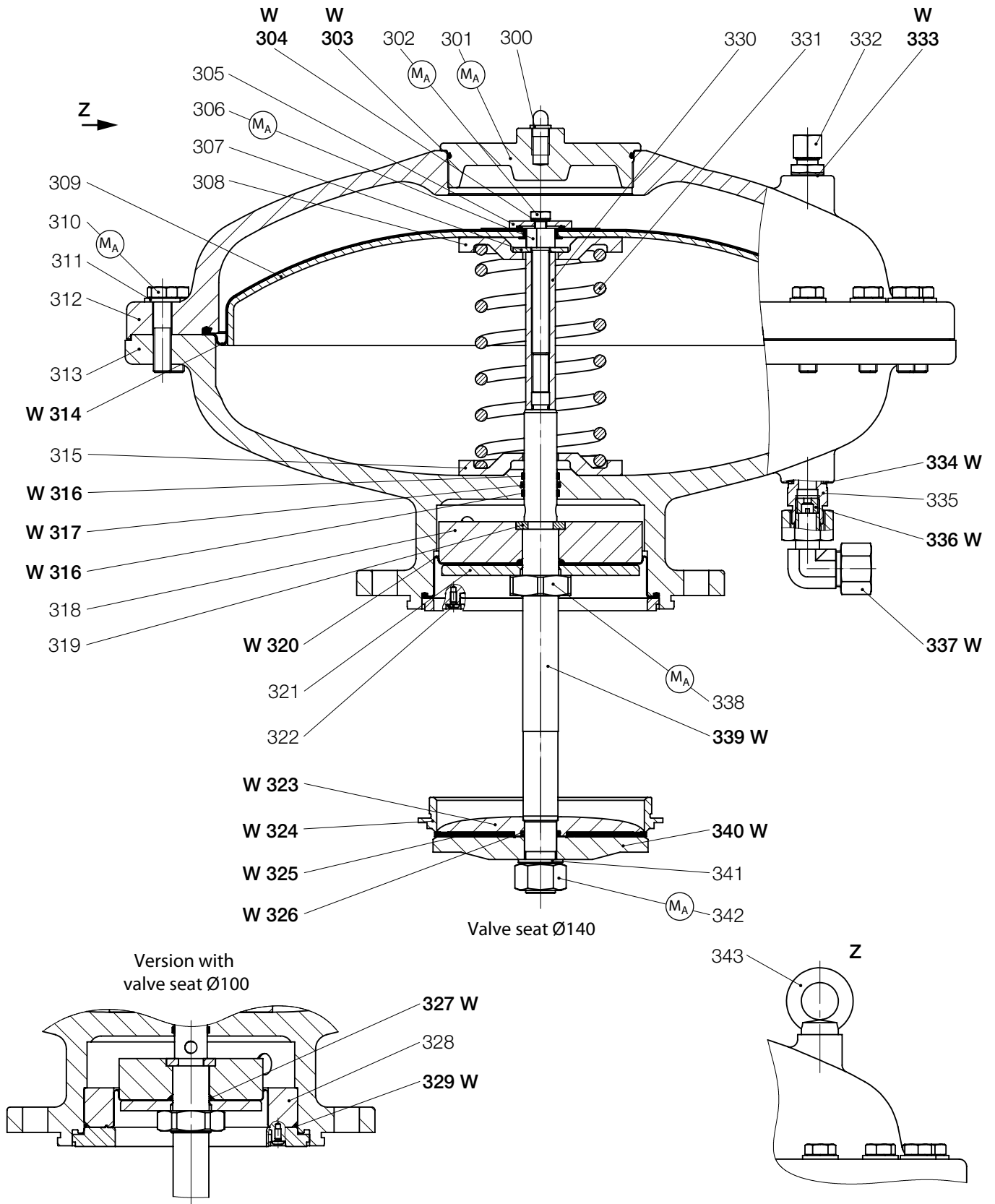
MA Be sure to comply with tightening torques in table on page 05.
W Parts should be held in stock for maintenance purposes.

3.4.2 Spare parts list regulating assembly 2

Item no.	Denomination	Number	W	Materials	Part no.	
					DN 25	DN 50
200	Eye bolt	1		St	10021	10021
201	Cover, diaphragm housing	1		LM	15066065	15066065
202	Hex nut	1		St	13120	13120
203	Lock washer	1		St	14119	14119
204	O ring	1	W	KG	20428	20428
205	Valve cone	1		LM	15801729	15801729
206	Clamping bolt	1		NSt	15067001	15067001
207	Axial bearing	1		KG	15067004	15067004
208	Spring plate	1		LM	15067002	15067002
209	Diaphragm disc	1		LM	15056040	15056040
210	Hex screw	32		St	10629	10629
211	Washer	32		St	8281	8281
212	Diaphragm housing, UP	1		GLM	15066036	15066036
213	Diaphragm housing, LP	1		GLM	15067003	15067003
214	Roll diaphragm	1	W	KG	15056039	15056039
215	Pressure spring	1		FSt	15056095	15056095
216	Sealing ring	1	W	LM	18740	18740
217	Centring plate	1		LM	15801717	15801717
218	O ring	1	W	KG	20607	20607
219	Guide belt	1	W	KG	15057251	15057251
220	Ring segment	2		St	10009129	10009129
221	Pressure-compensating diaphragm, optional:					
221	Pressure-compensating diaphragm for valve seat Ø 60	1	W	KG	10009120	10009120
221	Pressure-compensating diaphragm for valve seat Ø 80	1	W	KG	10009134	10009134
221	Pressure-compensating diaphragm for valve seat Ø100	1	W	KG		10009137
222	Diaphragm plate, optional:					
222	Diaphragm plate for valve seat Ø 60	1		LM	15057042	15057042
222	Diaphragm plate for valve seat Ø 80	1		LM	15057041	15057041
222	Diaphragm plate for valve seat Ø100	1		LM		15058027
223	Pressure disc, optional:					
223	Pressure disc for valve seat Ø 60	1		LM	10009124	10009124
223	Pressure disc for valve seat Ø 80	1		LM	10009125	10009125
223	Pressure disc for valve seat Ø100	1		LM		10009128
224	Valve cone, optional:					
224	Valve cone for valve seat Ø 60	1	W	LM	10009208	10009208
224	Valve cone for valve seat Ø 80	1	W	LM	10009207	10009207
224	Valve cone for valve seat Ø100	1	W	LM		10009206
225	Valve seat, optional:					
225	Valve seat Ø 60	1	W	LM	15027003	15028004
225	Valve seat Ø 80	1	W	LM	15027002	15028005
225	Valve seat Ø100	1	W	LM		15058026

Item no.	Denomination	Number	W	Materials	Part no.	
					DN 25	DN 50
226	Sealing ring, optional:					
226	Sealing ring for valve seat Ø 60	1	W	KG	10009218	10009218
226	Sealing ring for valve seat Ø 80	1	W	KG	10009219	10009219
226	Sealing ring for valve seat Ø100	1	W	KG		10009220
227	O ring	1	W	KG	20442	20442
228	Reducer, optional:					
228	Reducer for valve seat Ø60	1		LM	15057803	15057803
228	Reducer for valve seat Ø80	1		LM	15057802	15057802
229	Screwed connection	1		St	530047	530047
230	Sealing ring	1	W	LM	518017	518017
231	Sealing ring	1	W	LM	518017	518017
232	Threaded adapter	1		St	15065003	15065003
233	Dosing screw	1		NSt	10005098	10005098
234	Screwed connection	1		St	530038	530038
235	O ring	1	W	KG	20442	20442
236	Hex nut	1		St	10009109	10009109
237	Valve stem, complete	1	W	NSt/Ms/St	15067300	15067300
238	Valve plate, at option:					
238	Valve plate for valve seat Ø 60	1	W	LM	15027020	15027020
238	Valve plate for valve seat Ø 80	1	W	LM	15027009	15027009
238	Valve plate for valve seat Ø100	1	W	LM		15028009
239	Lock washer	1		St	14116	14116
240	Hex nut	1		St	13203	13203

3.5.1 Spare parts drawing regulating assembly 3



M_A Be sure to comply with tightening torques in table on page 05.

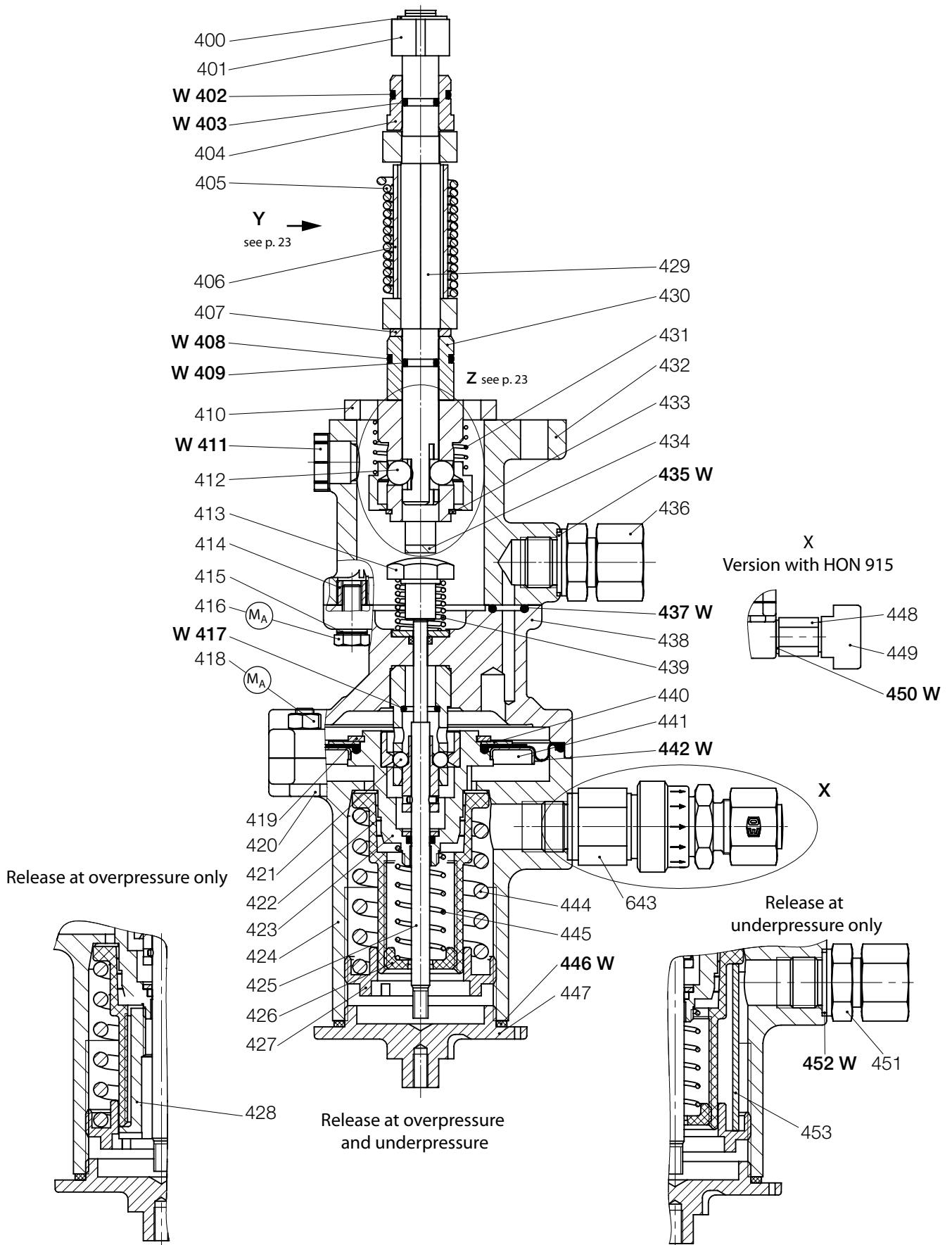
W Parts should be held in stock for maintenance purposes.

3.5.2 Spare parts list regulating assembly 3

Item no.	Denomination	Number	W	Materials	Part no. DN 80
300	Drain plug	1		KG	26162
301	Cover, diaphragm housing	1		LM	15066065
302	Hex screw	1		St	510115
303	O ring	1	W	KG	20428
304	Sealing ring	1	W	LM	18710
305	Valve cone	1		LM	10004992
306	Threaded bolt	1		St	15801768
307	Washer	1		NSt	514007
308	Spring plate	1		LM	15801766
309	Diaphragm disc	1		LM	15058022
310	Hex screw	24		St	8182
311	Washer	24		St	8271
312	Diaphragm housing, UP	1		GLM	15068024
313	Diaphragm housing, LP	1		GLM	15069023
314	Roll diaphragm	1	W	KG	15058021
315	Spring plate	1		LM	15801766
316	Guide belt	2	W	KG	15059251
317	O ring	1	W	KG	20619
318	Diaphragm plate, optional:				
318	Diaphragm plate for valve seat Ø100	1		LM	15059051
318	Diaphragm plate for valve seat Ø140	1		LM	15059036
319	Ring segment	2		St	15059046
320	Pressure-compensating diaphragm, optional:				
320	Pressure-compensating diaphragm for valve seat Ø100	1	W	KG	15059057
320	Pressure-compensating diaphragm for valve seat Ø140	1	W	KG	15059024
321	Pressure disc, optional:				
321	Pressure disc for valve seat Ø100	1		LM	15059052
321	Pressure disc for valve seat Ø140	1		LM	15059037
322	Flat head screw	2		St	510116
323	Valve cone, optional:				
323	Valve cone for valve seat Ø100	1	W	LM	15059050
323	Valve cone for valve seat Ø140	1	W	LM	15801757
324	Valve seat, optional:				
324	Valve seat Ø100	1	W	LM	15059048
324	Valve seat Ø140	1	W	LM	15801759
325	Sealing ring, optional:				
325	Sealing ring for valve seat Ø100	1	W	KG	15059054
325	Sealing ring for valve seat Ø140	1	W	KG	15801762

Item no.	Denomination	Number	W	Materials	Part no. DN 80
326	O ring	1	W	KG	20323
327	O ring	1	W	KG	20327
328	Reducer for valve seat Ø100	1		LM	15059053
329	O ring	1	W	KG	21267
330	Spacer tube	1		St	15801767
331	Pressure spring	1		FSt	15056098
332	Screwed connection	1		St	530047
333	Sealing ring	1	W	LM	518017
334	Sealing ring	1	W	LM	18684
335	Threaded adapter	1		St	15069025
336	Dosing screw	1		Ms	10014038
337	Screwed connection	1		St	530048
338	Hex nut	1		St	513017
339	Valve rod	1	W	NSt	15801756
340	Valve plate, at option:				
340	Valve plate for valve seat Ø100	1	W	LM	15059049
340	Valve plate for valve seat Ø140	1	W	LM	15059041
341	Lock washer	1		St	519022
342	Hex nut	1		St	513018
343	Eye bolt	2		St	10487

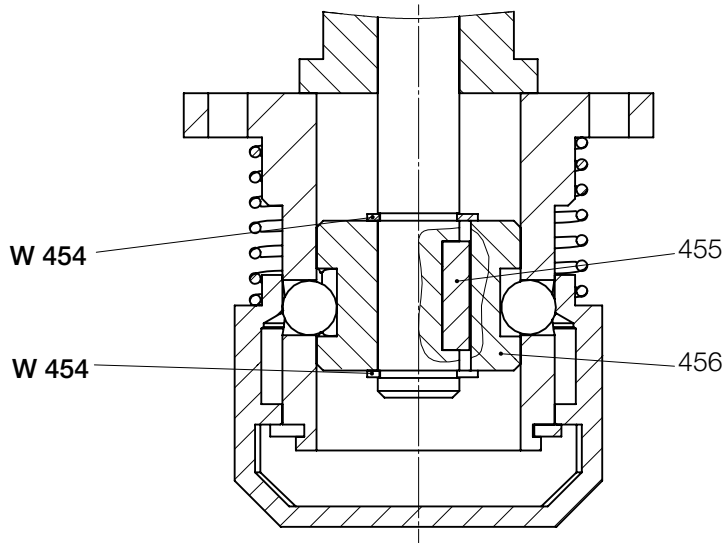
3.6.1.1 Spare parts drawing actuator K1a
(drawings show DN 25 and DN 50)



M_A Be sure to comply with tightening torques in table on page 05.

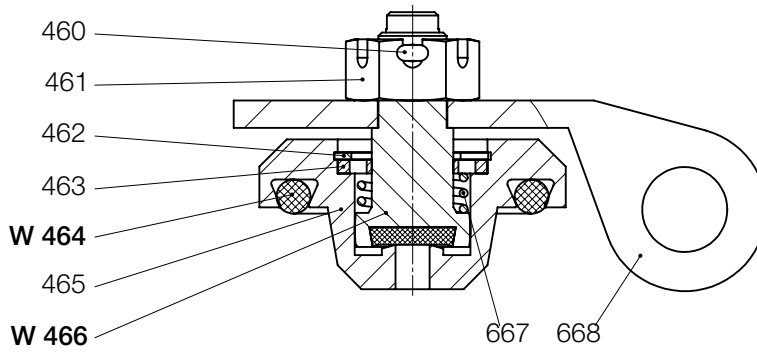
W Parts should be held in stock for maintenance purposes.

3.6.1.2 Detail Z Version for DN 80 through DN 150

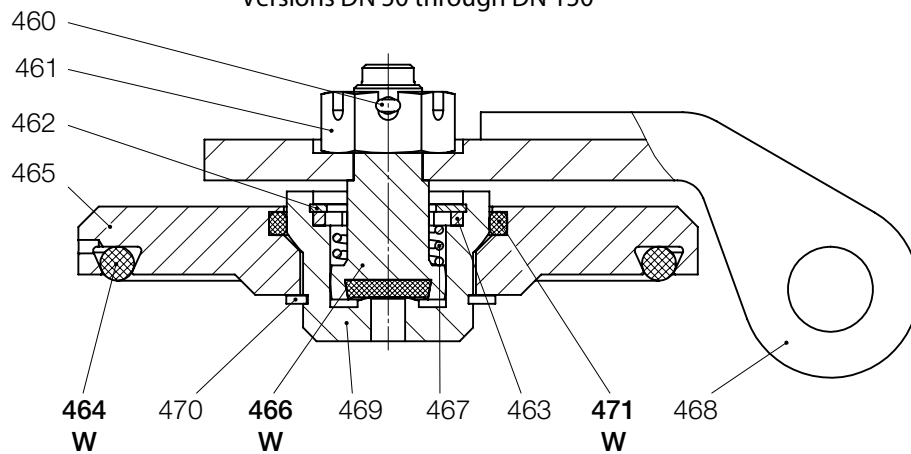


3.6.1.3 View Y SSV flap

Version DN 25

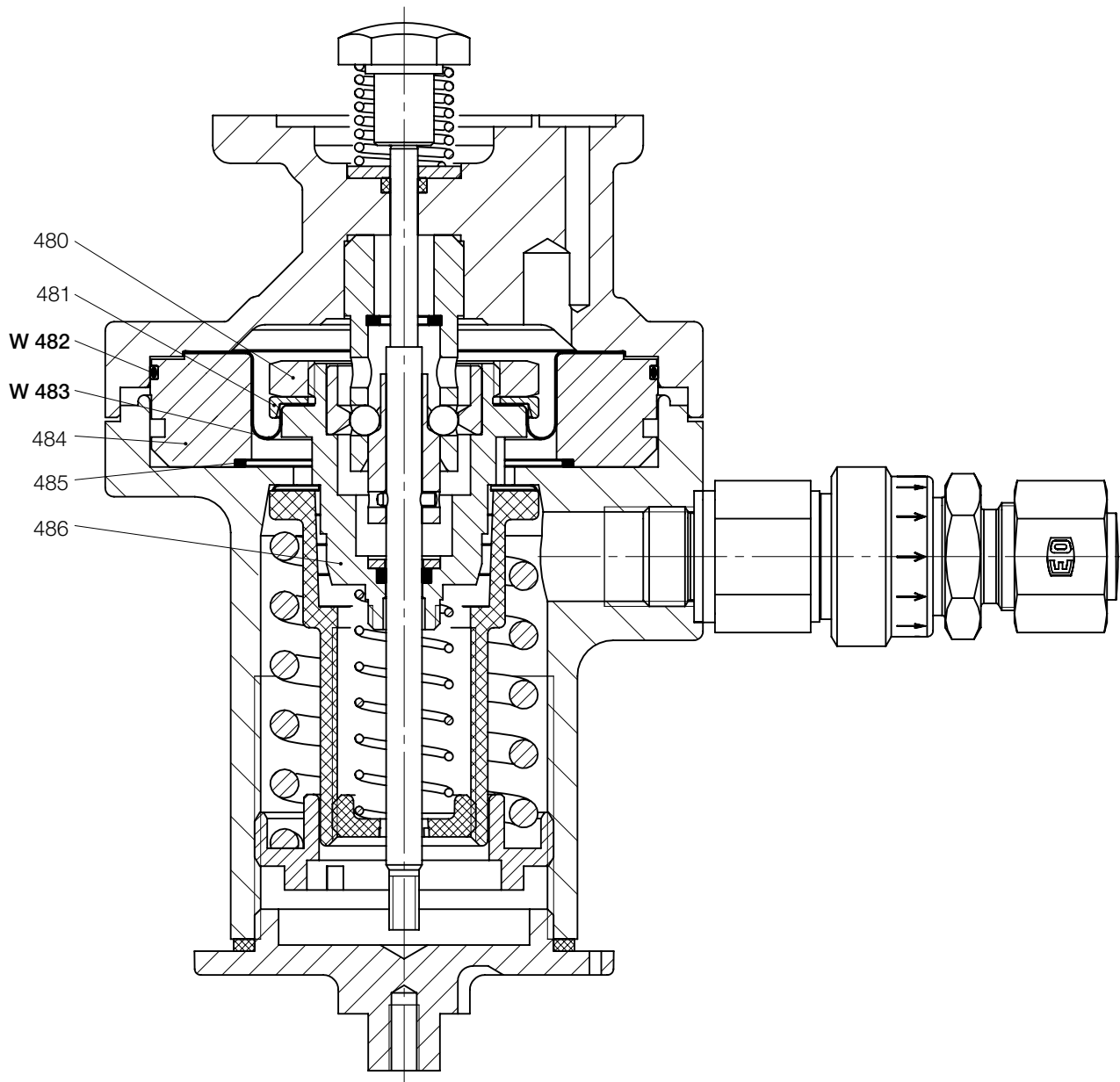


Versions DN 50 through DN 150



W Parts should be held in stock for maintenance purposes.

3.6.1.4 Spare parts drawing actuator K2a



W Parts should be held in stock for maintenance purposes

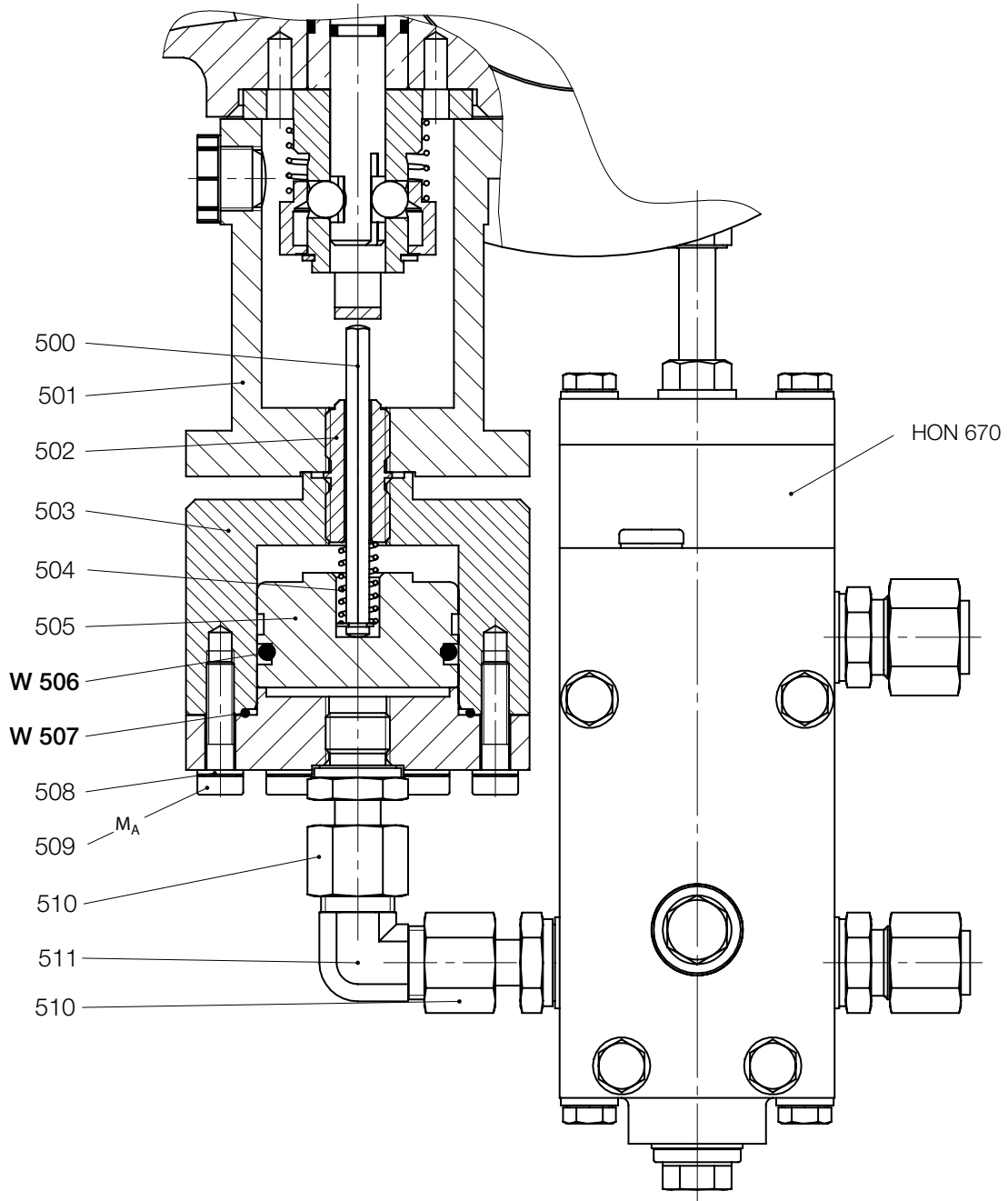
for items missing, see K1a.

3.9.2 Spare parts list actuators K1a and K2a

Item no.	Denomination	Number	W	Material	Part no.				
					DN 25	DN 50	DN 80	DN 100	DN 150
400	Sealing ring	1		NFSt	19199	19199	19199	19199	519024
401	Retaining bolt	1		NSt	15026019	15026019	15026019	15026019	15059043
402	O ring	1	W	KG	21253	21253	21253	21253	20323
403	O ring	1	W	KG	21250	21250	21250	21250	20914
404	Bushing	1		Ms	15025016	15027016	15027016	15027016	15059028
405	Torsion spring	1		NSt	15026022	15026022	15027022	15027022	15059032
406	Sleeve	1		NSt	15026023	15026023	15027014	15027014	15059031
407	Axial bearing	1		K	15026024	15026024	15027021	15027021	15059045
408	O ring	1	W	KG	21254	21254	520041	520041	20448
409	O ring	1	W	KG	21250	21250	21250	21250	20914
410	Spindle bush	1		Ms	15026018	15026018	15027017	15027017	15027017
411	Screwed plug, optional:								
411	for version without approach switch	2		KG	26550	26550	26550	26550	26550
411	for version with 1 approach switch	1		KG	26550	26550	26550	26550	26550
412	Sphere	2		NSt	5184	5184	5184	5184	5184
413	Valve cone	1		LM	15026511	15026511	15026511	15026511	15026511
414	Thread insert	4		St	27132	27132	27132	27132	27132
415	Lock washer	4		St	14123	14123	14123	14123	14123
416	Hex screw	4		St	8172	8172	8172	8172	8172
417	O ring	1	W	KG	20371	20371	20371	20371	20371
418	Hex nut	4		St	3399	3399	3399	3399	3399
419	Sealing ring	1		FSt	19131	19131	19131	19131	19131
420	Cheese head screw	4		St	10150	10150	10150	10150	10150
421	Sphere	6		NSt	5108	5108	5108	5108	5108
422	Spring retainer	1		K	10008563	10008563	10008563	10008563	10008563
423	Lock bushing, complete	1		LM/St...	10010619	10010619	10010619	10010619	10010619
424	Spring housing	1		GLM	15055020	15055020	15055020	15055020	15055020
425	Valve stem, complete	1		NSt/St	10010614	10010614	10010614	10010614	10010614
426	Spring plate	1		K	10000856	10000856	10000856	10000856	10000856
427	Spring plate	1		Ms	10001844	10001844	10001844	10001844	10001844
428	Pipe	1		LM	10024060	10024060	10024060	10024060	10024060
429	SSV axle	1		NSt/St	15026400	15026400	15027008	15027008	15059029
430	Bushing	1		Ms	15026017	15026017	15027013	15027013	15059027
431	Pressure spring	1		NFSt	15026005	15026005	15027015	15027015	15027015
432	Switch housing, optional:								
432	Switch housing for 1 approach switch	1		GLM	15055039	15055039	15057039	15057039	15057039
432	Switch housing for 2 approach switches	1		GLM	15055040	15055040	15057040	15057040	15057040
433	Sealing ring	1		NFSt	19195	19195	19196	19196	19196
434	Lock bushing	1		NSt	15026020	15026020	15027018	15027018	15027018
435	Sealing ring	1	W	LM	518017	518017	518017	518017	518017
436	Screwed connection	1		St	530043	530043	530043	530043	530043
437	O ring	1	W	KG	21251	21251	21251	21251	21251
438	SSV bottom, complete	1		GLM...	10010605	10010605	10010605	10010605	10010605
439	Pressure spring	1		FSt	10011077	10011077	10011077	10011077	10011077
440	Pressure disc	1		LM	10004882	10004882	10004882	10004882	10004882

Item no.	Denomination	Number	W	Material	Partno.				
					DN 25	DN 50	DN 80	DN 100	DN 150
441	Diaphragm disc	1		St	10010611	10010611	10010611	10010611	10010611
442	Diaphragm	1	W	KG	10010610	10010610	10010610	10010610	10010610
443	On/off valve HON 919-1	1		NSt/St	15801366	15801366	15801366	15801366	15801366
444	Control spring, optional:								
444	W _{dso} 25 - 50 mbar	1		FSt	10001829	10001829	10001829	10001829	10001829
444	W _{dso} 50 - 100 mbar	1		FSt	10001838	10001838	10001838	10001838	10001838
444	W _{dso} 80 - 250 mbar	1		FSt	10000866	10000866	10000866	10000866	10000866
444	W _{dso} 200 - 500 mbar	1		FSt	10000867	10000867	10000867	10000867	10000867
444	W _{dso} 500 - 1500 mbar	1		FSt	10001839	10001839	10001839	10001839	10001839
444	W _{dso} 1300 - 1700 mbar	1		FSt	18358382	18358382	18358382	18358382	18358382
444	W _{dso} 1600 - 2300 mbar	1		FSt	15056094	15056094	15056094	15056094	15056094
445									
445	W _{dsu} 5 - 15 mbar	1		FSt	10001828	10001828	10001828	10001828	10001828
445	W _{dsu} 14 - 40 mbar	1		FSt	10001837	10001837	10001837	10001837	10001837
445	W _{dsu} 35 - 120 mbar	1		FSt	10001760	10001760	10001760	10001760	10001760
445	W _{dsu} 100 - 300 mbar	1		FSt	10001830	10001830	10001830	10001830	10001830
446	Sealing ring	1	W	KG	20343	20343	20343	20343	20343
447	SSV sealing cap	1		GLM	10000854	10000854	10000854	10000854	10000854
448	Adapter	1		St	10030858	10030858	10030858	10030858	10030858
449	Vent valve	1		St	10010570	10010570	10010570	10010570	10010570
450	Sealing ring	1	W	LM	518017	518017	518017	518017	518017
451	Screwed connection	1		St	530043	530043	530043	530043	530043
452	Sealing ring	1	W	LM	518017	518017	518017	518017	518017
453	Retention tube	1		LM	10001784	10001784	10001784	10001784	10001784
454	Snap ring	2	W	NFSt			19199	19199	19199
455	Fether key	1		NSt			27998	27998	27998
456	Hub, complete	1		Ms			15027300	15027300	15027300
460	Splint	1		NSt	15043	15043	15043	15043	15043
461	Castle nut	1		NSt	13204	13204	13204	13204	13204
462	Snap ring	1		NFSt	19197	19197	19197	19197	19197
463	Washer	1		Ms	15026104	15026104	15026104	15026104	15026104
464	O ring	1	W	KG	21255	21259	21262	21264	520103
465	Plate	1		Ms	15025102	15026102	15027102	15028102	15059022
466	Piston, vulcanised	1	W	NSt/KG	15026110	15026110	15026110	15026110	15059033
467	Pressure spring	1		NFSt	15026105	15026105	15026105	15026105	15026105
468	Lever	1		NSt	15025101	15026101	15027101	15028101	15059030
469	Valve insert	1		Ms		15026103	15026103	15026103	15059025
470	Snap ring	1		NFSt		19198	19198	19198	19198
471	O ring	1	W	KG		21260	21260	21260	21260
480	Hex nut	1		St	10004924	10004924	10004924	10004924	10004924
481	Support ring	1		LM	10004938	10004938	10004938	10004938	10004938
482	O ring	1	W	KG	21005	21005	21005	21005	21005
483	SSV diaphragm	1	W	KG	18354902	18354902	18354902	18354902	18354902
484	Intermediate ring	1		LM	10010598	10010598	10010598	10010598	10010598
485	O ring	1	W	KG	20361	20361	20361	20361	20361
486	Diaphragm disc, complete	1		LM/St/KG	10004929	10004929	10004929	10004929	10004929

3.7.1 Spare parts drawing – pressure/force transducer



M_A Be sure to comply with tightening torques in table on page 05.

W Parts should be held in stock for maintenance purposes.

3.7.2 Spare parts list - pressure/force transducer

Item no.	Denomination	Number	W	Materials	Part no.
500	Switch rod 68	1		NSt	10022567
501	Adaptor, optional:				
501	Adaptor for K16/K17 (1 approach switch)	1		LM	15065111
501	Adaptor for K16/K17 (2 approach switches)	1		LM	15065112
502	Threaded insert 31	1		NSt	10005303
503	Housing for pressure/force transducer	1		LM	10005304
504	Pressure spring	1		FSt	500040
505	Piston	1		NSt	10022564
506	O ring	1	W	KG	20336
507	O ring	1	W	KG	20398
508	Lock washer	6		St	14111
509	Cheese head screw	6		St	10150
510	Screwed connection	2		St	30023
511	Screwed connection	1		St	530042

4. Parts for maintenance purposes

Item no.	Denomination	Number	DN 25	DN 50	DN 80	DN 100	Part no. DN 150
2	Sealing ring	4	18710	18710			
7	O ring	1	21261	21261			
8	O ring	1	20832	20832			
13	O ring	1		20513			
14	O ring	1	520110	21258			
18	O ring	1	21271	520001			
27	O ring	1	21250	21250	21250	21250	21252
30	Sealing ring	1	518017	518017	518017	518017	518017
32	Sealing ring	1	518017	518017	518017	518017	518017
62	O ring	1			21268	21268	
66	O ring	1			21263	21266	520082
70	O ring	1			21272	21267	520107
76	O ring	1					520106
Regulating assembly 1							
103	O ring	1	520104	520104			
114	Diaphragm	1	15056001	15056001			
116	Sealing ring	1	18710	18710			
117	O ring	1	21252	21252			
118	Guide belt	1	15056251	15056251			
121	Diaphragm, optional:						
121	Diaphragm for valve seat ø25	1	15025011				
121	Diaphragm for valve seat Ø31	1	15026801	15026801			
121	Diaphragm for valve seat ø50	1		15026002			
123	Valve cone, optional:						
123	Valve cone for valve seat ø25	1	10006184				
123	Valve cone for valve seat ø31	1	10009199	10009199			
123	Valve cone for valve seat ø50	1		15056035			
124	Valve seat, optional:						
124	Valve seat Ø25	1	15025012				
124	Valve seat Ø31	1	15025003	15056802			
124	Valve seat Ø50	1		15056009			
125	Sealing ring, optional:						
125	Sealing ring for valve seat ø25	1	10006183				
125	Sealing ring for valve seat ø31	1	10009215	10009215			
125	Sealing ring for valve seat ø50	1		10009217			
126	O ring	1	20451	20451			
129	Sealing ring	1	518017	518017			
130	Sealing ring	1	518017	518017			

Item no.	Denomination	Number	Part no.				
			DN 25	DN 50	DN 80	DN 100	DN 150
135	Valve stem, complete	1	15065300	15066300			
136	Valve plate, at option:						
136	Valve plate for valve seat ø25	1	10023463				
136	Valve plate for valve seat ø31	1	10023464	10023464			
136	Valve plate for valve seat ø50	1		15026028			
142	Valve plate, at option:						
142	Valve plate for valve seat ø25	1	10023463				
142	Valve plate for valve seat ø31	1	10023464	10023464			
142	Valve plate for valve seat ø50	1		15026028			
	Regulating assembly 2						
204	O ring	1	20428	20428			
214	Roll diaphragm	1	15056039	15056039			
216	Sealing ring	1	18740	18740			
218	O ring	1	20607	20607			
219	Guide belt	1	15057251	15057251			
221	Pressure-compensating diaphragm, optional:						
221	Pressure-compensating diaphragm for valve seat Ø 60	1	10009120	10009120			
221	Pressure-compensating diaphragm for valve seat Ø 80	1	10009134	10009134			
221	Pressure-compensating diaphragm for valve seat Ø100	1		10009137			
224	Valve cone, optional:						
224	Valve cone for valve seat Ø 60	1	10009208	10009208			
224	Valve cone for valve seat Ø 80	1	10009207	10009207			
224	Valve cone for valve seat Ø100	1		10009206			
225	Valve seat, optional:						
225	Valve seat ø 60	1	15027003	15028004			
225	Valve seat ø 80	1	15027002	15028005			
225	Valve seat Ø100	1		15058026			
226	Sealing ring, optional:						
226	Sealing ring for valve seat Ø 60	1	10009218	10009218			
226	Sealing ring for valve seat Ø 80	1	10009219	10009219			
226	Sealing ring for valve seat Ø100	1		10009220			
227	O ring	1	20442	20442			
230	Sealing ring	1	518017	518017			
231	Sealing ring	1	518017	518017			
235	O ring	1	20442	20442			
237	Valve stem, complete	1	15067300	15067300			
238	Valve plate, at option:						
238	Valve plate for valve seat Ø 60	1	15027020	15027020			
238	Valve plate for valve seat Ø 80	1	15027009	15027009			

Item no.	Denomination	Number	Part no.					
			DN 25	DN 50	DN 80	DN 100	DN 150	
	Regulating assembly 3							
303	O ring	1			20428			
304	Sealing ring	1			18710			
314	Roll diaphragm	1			15058021			
316	Guide belt	1			15059259			
317	O ring	1			20619			
320	Pressure-compensating diaphragm, optional:							
320	Pressure-compensating diaphragm for valve seat Ø100	1			15059057			
320	Pressure-compensating diaphragm for valve seat Ø140	1			15059024			
323	Valve cone, optional:							
323	Valve cone for valve seat Ø100	1			15059050			
323	Valve cone for valve seat Ø140	1			15801757			
324	Valve seat, optional:							
324	Valve seat for valve seat Ø100	1			15059048			
324	Valve seat for valve seat Ø140	1			15801459			
325	Sealing ring, optional:							
325	Sealing ring for valve seat Ø100	1			15059054			
325	Sealing ring for valve seat Ø140	1			15801762			
326	O ring	1			20323			
327	O ring	1			20327			
329	O ring	1			21267			
333	Sealing ring	1			518017			
334	Sealing ring	1			18684			
339	Valve rod	1			18801756			
340	Valve plate, at option:							
340	Valve plate for valve seat Ø100	1			15059049			
340	Valve plate for valve seat ø140	1			15059041			
	For actuators K1a and K2a							
402	O ring	1	21253	21253	21253	21253	20323	
403	O ring	1	21250	21250	21250	21250	20914	
408	O ring	1	21254	21254	520041	520041	20448	
409	O ring	1	21250	21250	21250	21250	20914	
417	O ring	1	20371	20371	20371	20371	20371	
435	Sealing ring	1	518017	518017	518017	518017	518017	
437	O ring	1	21251	21251	21251	21251	21251	
450	Sealing ring	1	518017	518017	518017	518017	518017	
452	Sealing ring	1	518017	518017	518017	518017	518017	
454	Sealing ring	2			19199	19199	19199	
464	O ring	1	21255	21259	21262	21264	520103	
466	Piston, vulcanised	1	15026110	15026110	15026110	15026110	15059033	
471	O ring	1		21260	21260	21260	21260	
482	O ring	1	21005	21005	21005	21005		
485	O ring	1	20361	20361	20361	20361		
	Pressure/force transducer							
506	O ring	1			20336			
507	O ring	1			20398			

For More Information

To learn more about Honeywell's
Advanced Gas Solutions, visit
www.honeywellprocess.com or contact
your Honeywell account manager

GERMANY

Honeywell Process Solutions

Honeywell Gas Technologies GmbH
Osterholzstrasse 45
34123 Kassel, Germany
Tel: +49 (0)561 5007-0
Fax: +49 (0)561 5007-107

HON 372.20
2017-01
© 2017 Honeywell International Inc.

Honeywell