

HON 370
Gas pressure regulator
direct acting

Operating and maintenance
instructions

Contents	Page
1. General information	3
1.1 Safety information	3
2. Specific maintenance instructions	4
2.1 Compensating diaphragm	4
2.2 Main diaphragm	4
2.3 Valve stem	4
2.4 Assembly tools	4
2.5 Screw tightening torques	5
2.6 Lubricants	5
2.7 Screw locking products	5
3. Servicing and maintenance parts	
3.1.1 Spare parts drawing for HON 370 DN 25 and DN 50	6
3.1.2 Servicing and maintenance parts for HON 370 DN 25 and DN 50	7
3.2.1 Spare parts drawing for HON 370 DN 80, DN 100 and DN 150	8
3.2.2 Servicing and maintenance parts for HON 370 DN 80, DN 100 and DN 150	9
3.3.1 Spare parts drawing for regulating assembly 1	10
3.3.2 Servicing and maintenance parts for regulating assembly 1	11
3.3.3 Set ranges for regulating assembly 1 DN 25 and DN 50	12
3.4.1 Spare parts drawing for regulating assembly 2	13
3.4.2 Servicing and maintenance parts for regulating assembly 2	14
3.4.3 Set ranges for regulating assembly 2 DN 80, DN 100 and DN 150	15
3.5.1 Spare parts drawing for regulating assembly 3	16
3.5.2 Servicing and maintenance parts for regulating assembly	17
3.5.3 Set ranges for regulating assembly 2 DN 80, DN 100 and DN 150	18
3.6.1 Spare parts drawing for HON 370 regulating assembly with safety diaphragm	19
3.6.2 Servicing and maintenance parts for HON 370 regulating assembly with safety diaphragm	20
3.7.1 Spare parts drawing for regulating assembly 2-0 DN 25 to DN 100 from 04/2013	21
3.7.2 Servicing and maintenance parts for regulating assembly 2-0 DN 25 to DN 100 from 04/2013	22
3.7.3 Set ranges for regulating assembly 2-0 DN 25 and DN 100 from 04/2013	23
3.8.1 Spare parts drawing for regulating assembly 2-0 DN 25 and DN 50 up to 03/2013	24
3.8.2 Servicing and maintenance parts for regulating assembly 2-0 DN 25 and DN 50 up to 03/2013	25
3.8.3 Set ranges for regulating assembly 2-0 DN 25 to DN 50 up to 03/2013	25
3.9.1 Spare parts drawing for regulating assembly 2-0 DN 80 up to 03/2013	26
3.9.2 Servicing and maintenance parts for regulating assembly 2-0 DN 80 up to 03/2013	27
3.1.1 Spare parts drawing for HON 370 SSV unit, all nominal sizes	28
3.1.2 Servicing and maintenance parts for HON 370 SSV unit, all nominal sizes	29
4.1 Details X and Y	30
5. Spare parts kits	
5.1.1 HON 370 nominal sizes DN 25, DN 50 and DN 80	31
5.1.2 HON 370 nominal sizes DN 100 and DN 150	32
5.2.1 Regulating assembly 1	33, 34
5.2.2 Regulating assembly 2	35, 36, 37
5.2.3 Regulating assembly 3	38, 39, 40
5.2.4 Regulating assembly 2-0 DN 25 and DN 50 from 04/2013	41, 42
5.2.5 Regulating assembly 2-0 DN 80 and DN 100 from 04/2013	42, 43
5.2.6 Regulating assembly 2-0 DN 25 and DN 50 up to 03/2013	44, 45
5.2.7 Regulating assembly 2-0 DN 80 up to 03/2013	46
5.2.8 SSV unit for HON 370, all nominal sizes	47, 48, 49

1. General information

Anybody engaged to install, operate or maintain the gas pressure regulator HON 370 must first carefully read through the following documents in full:

- **Technical product information 370.00** – this contains technical data, dimensions, and a description of the design and mode of operation.
- **General operating instructions for gas pressure regulators and safety devices** – this Honeywell document provides information on installation and operation as well as general information on troubleshooting.
- **Operating and maintenance instructions, spare parts 370.20** – this contains further details for installing and operating the gas pressure regulator.

Furthermore, compliance with the appropriate **national regulations** is mandatory from the planning to the maintenance of gas pressure regulating stations (in Germany, refer to DVGW Codes of Practice G 600, G 459/II, G 491 and G 495, among others).

The intervals for the work to monitor and maintain the system depend heavily on the operating conditions and the properties of the gas. Rigid periods can therefore not be specified. For Germany, we recommend that you initially observe the maintenance periods set out in DVGW Code of Practice G 495. The maintenance interval must then be identified individually for each station in the medium term.

When carrying out maintenance work, the components must be cleaned and undergo a careful inspection. This is also necessary if irregularities in behaviour have been identified during operation or function checks. The inspection must in particular extend to diaphragms and gaskets and all moving parts and their bearings. Damaged parts and the O-rings removed during the dismantling work must be replaced with new ones.

Do not use spare parts or lubricants other than those which are expressly listed in these Honeywell operating and maintenance instructions.




In the event that spare parts and lubricants other than those listed are used, Honeywell cannot accept any liability for defects and consequential damage resulting from the use of unauthorized spare parts and/or lubricants.

The item numbers used in the specific operating and maintenance instructions are the same as those in the spare parts drawing and spare parts list.

We recommend that you keep the parts marked with a “W” in the spare parts drawings and spare parts lists in stock for maintenance work. These parts are listed on a separate sheet at the end of the spare parts lists.

1.1 Safety information

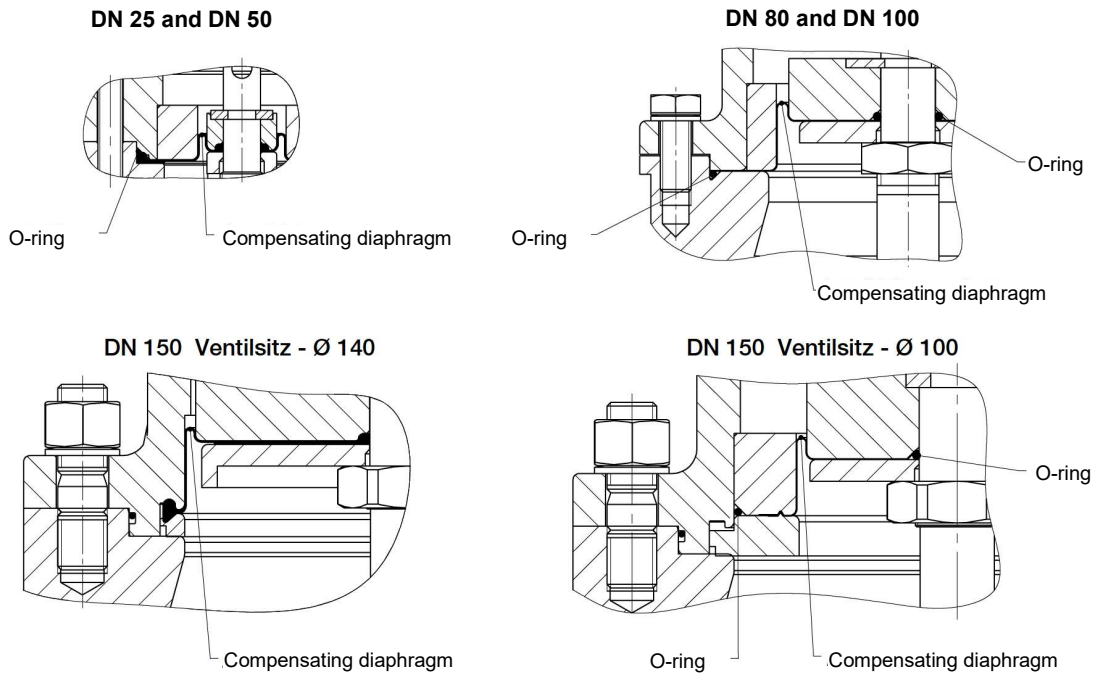
Safety information is identified by the following signal words and symbols

Identification	Use for:
	Danger of personal injury
	Danger of property and environmental damage
	Important additional information

2. Specific maintenance instructions

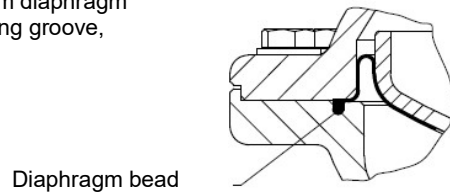
2.1 Compensating diaphragm

During installation, ensure that the compensating diaphragm is correctly positioned.



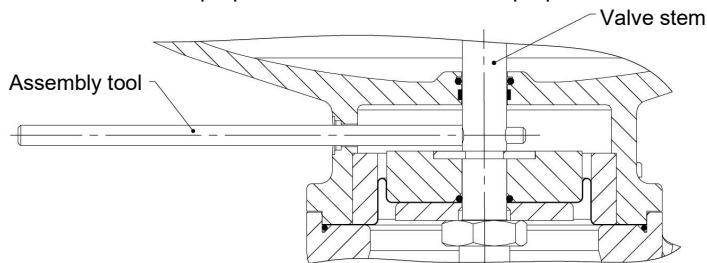
2.2 Main diaphragm (110, 214, 359)

The dry main diaphragm must be inserted into the groove in the bottom diaphragm housing (113, 218, 362) and pressed over the bead into the surrounding groove, starting at 2 opposite points. Then apply a thin film of grease to the top of the diaphragm bead.



2.3 Valve stem

To prevent diaphragm distortion, when undoing or tightening the nut, the valve stem must be secured to prevent it turning. The valve stem has a perpendicular borehole for this purpose.



2.4 Assembly tools

Nominal size	DN 25	DN 50	DN 80	DN 100	DN 150
Part No.	15801421		15801422		15801469

2.5 Screw tightening torques M_A

Screw item No.	Tightening torque M_A in Nm	Screw item No.	Tightening torque M_A in Nm
1	20	337	10
4	20	360	30
9	20	363	10
24	30	372	20
37	20	390	10
60	30	395	20
63	40	419	10
68	20	420	30
70	40	424	10
81	40	425	10
111	20	461	20
140	10	466	20
144	20	493	10
145	10	497	20
215	20	616	10
219 (DN 80, DN 100)	10	618	20
227	10	1454	20
237 (DN 50)	10	1465	10
237 (DN 80, DN 100)	20	1477	30
247	20	1479	30
307	10	1488	20
309	10	1544	30
311	20	1546	20
327	10	1547	20
329	10	1548	10
331	20	1556	20
335	10	1575	20
336	10		

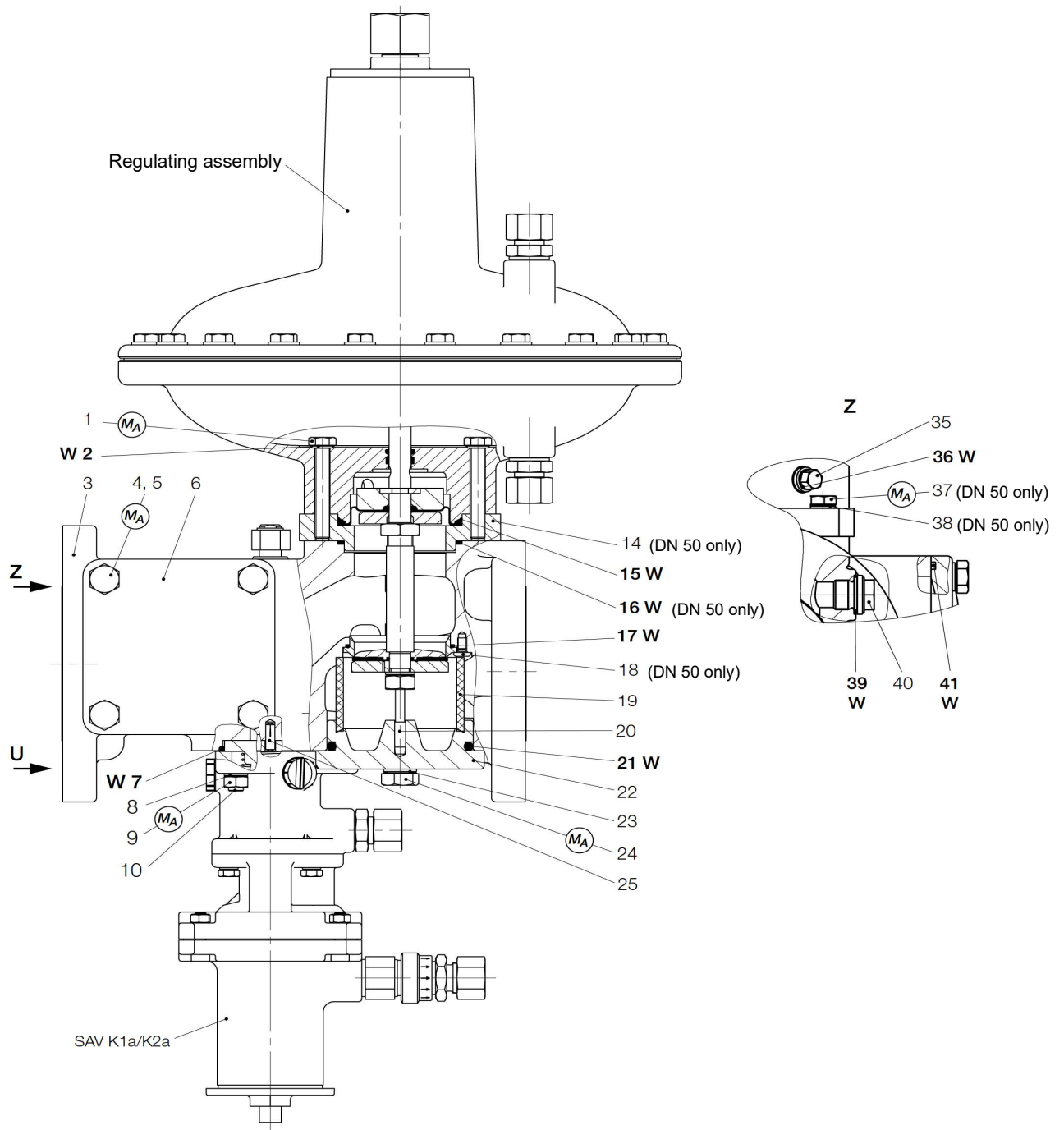
2.6 Lubricants

Components	Lubricants	Part No.
All O-rings, all sliding surfaces Clamping and loop sections of the diaphragms (except diaphragms without a bead), see specific installation instruction 2.2 Spheres (612, 621), all fastening screws and pipe unions	Silicone grease (apply thinly)	27081
Setpoint adjusting screws (leadscrews)	Installation paste	27091

2.7 Screw locking products

Components	Screw locking product
Thrust piece (613) Stud screws (10, 69, 73) Ring bolts (375) Setscrews (300, 320),	WEICONLOCK AN 302-21

3.1.1 Spare parts drawing for HON 370 DN 25 and DN 50 shows DN 50 regulating assembly 1



M_A Refer to the tightening torque shown in the table on page 05.

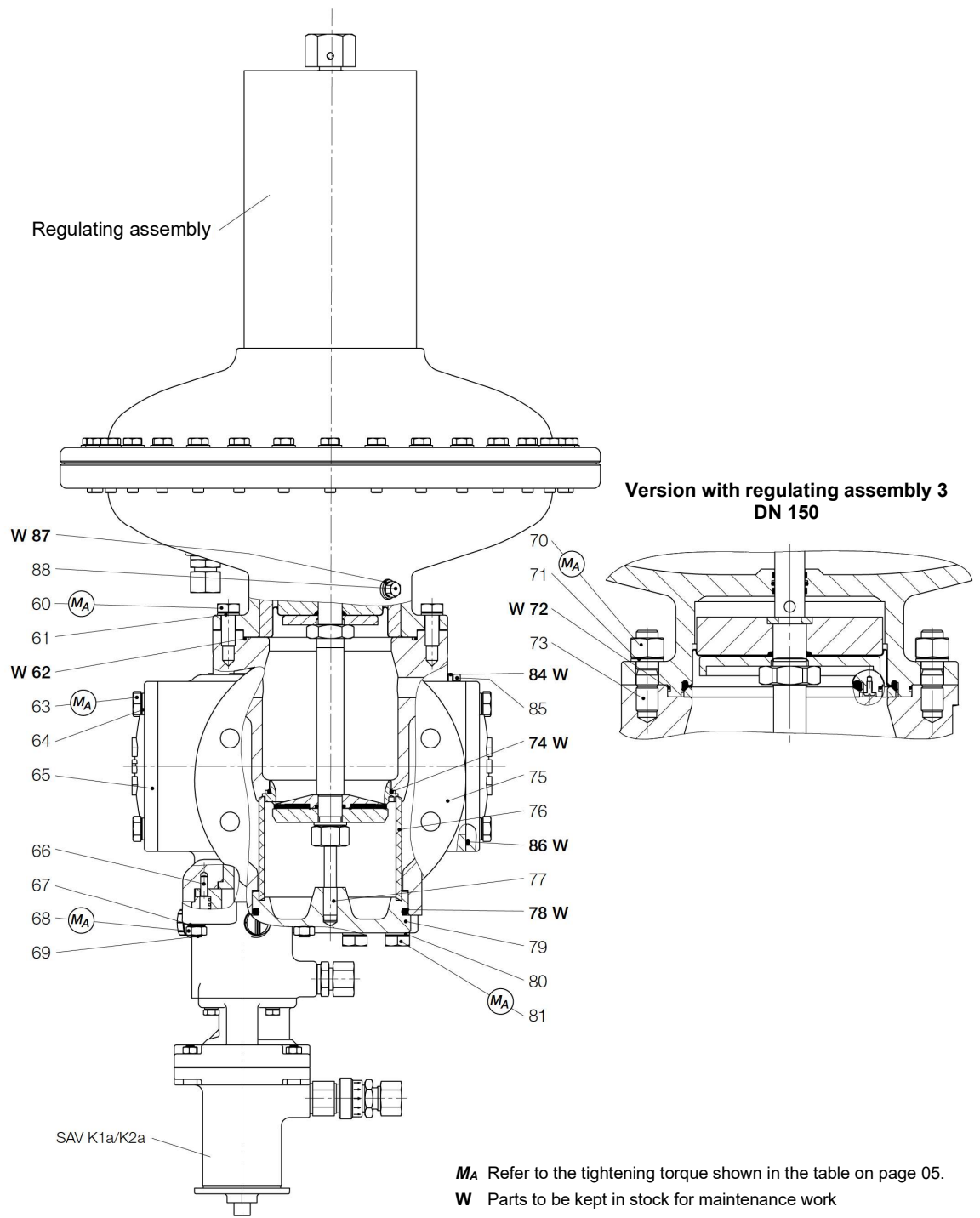
W Parts to be kept in stock for maintenance work

3.1.2 Servicing and maintenance parts for HON 370 DN 25 and DN 50

Item No.	Designation	Quantity	W	Material	Part No.	
					DN 25	DN 50
2	Sealing ring	4	W	LM	18710-RMK	18710-RMK
7	O-ring	1	W	NBR	20832-RMK	20832-RMK
				FKM	20987-RMK	20987-RMK
15	O-ring	1	W	NBR	21261	21261
				FKM	102419-RMK	102419-RMK
16	O-ring	1	W	NBR		20513-RMK
				FKM		20969-RMK
17	O-ring	1	W	NBR	520110	21258-RMK
				FKM	101222-RMK	102423-RMK
21	O-ring	1	W	NBR	21271	520001-RMK
				FKM	102420-RMK	102424-RMK
	O-ring, design length 230 mm	1	W	NBR		20461-RMK
				FKM		20750
36	O-ring	1	W	NBR	21250	21250
39	Sealing ring	2	W	LM	518017	518017
41	O-ring	2	W	NBR	21263	21263
				FKM	102421-RMK	102421-RMK

W Parts to be kept in stock for maintenance work

3.2.1 Spare parts drawing for HON 370 DN 80, DN 100 and DN 150 shows DN 80 regulating assembly 2



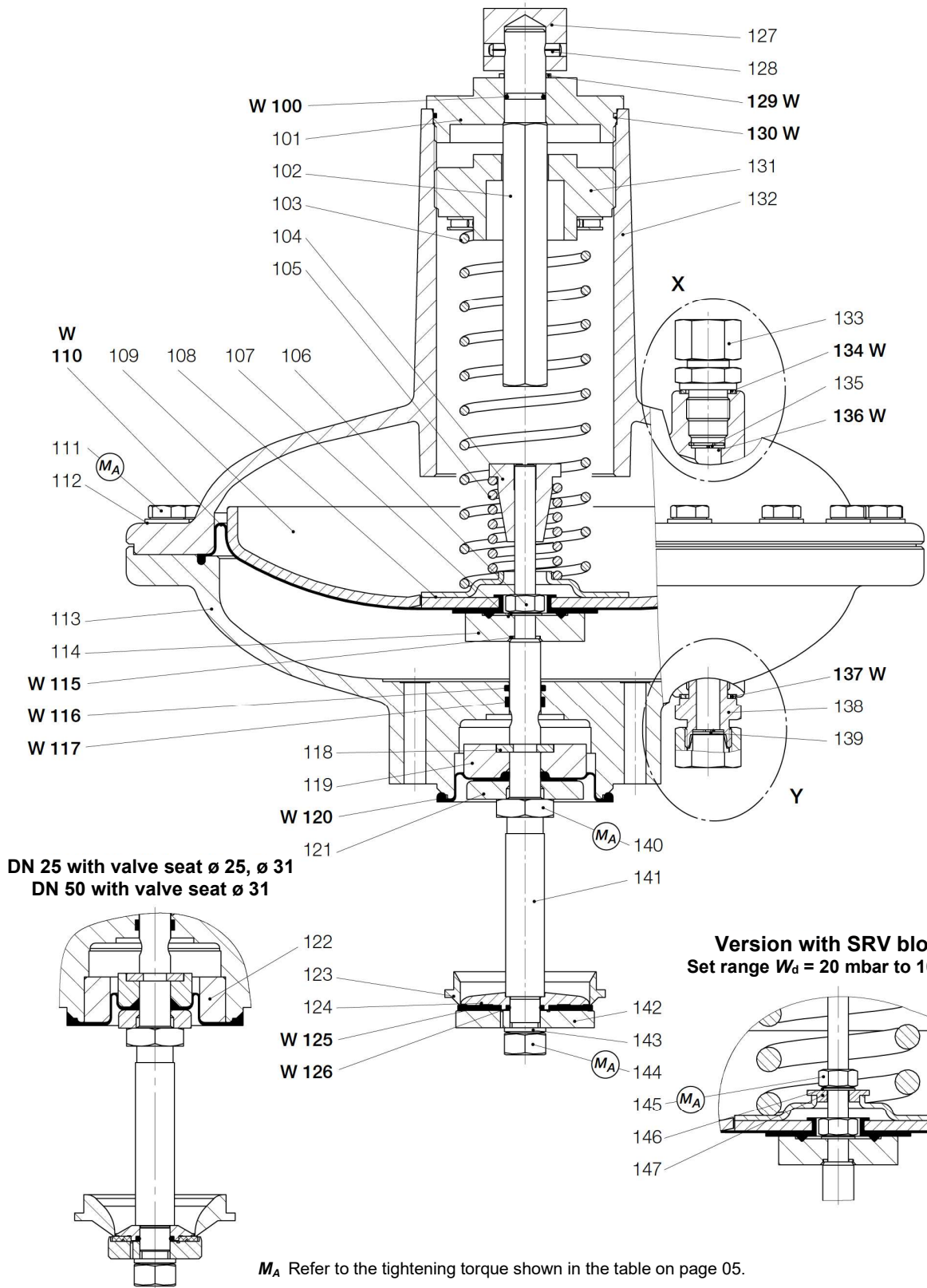
3.2.2 Servicing and maintenance parts for HON 370 DN 80, DN 100 and DN 150

Item No.	Designation	Quantity	W	Material	Part No.		
					DN 80	DN 100	DN 150
62	O-ring	1	W	NBR	20428	20428	
				FKM	20911	20911	
72	O-ring	1	W	NBR			21135-RMK
				FKM			102430-RMK
74	O-ring	1	W	NBR	21263	21266-RMK	102295
				FKM	102421-RMK	102427-RMK	102431-RMK
78	O-ring	1	W	NBR	21272-RMK	20443-RMK	520107
				FKM	102426-RMK	102428-RMK	102432-RMK
84	Sealing ring	1	W	LM	518017	518017	518017
86	O-ring	2	W	NBR	21266-RMK	21268	21300-RMK
				FKM	102427-RMK	102429	102433-RMK
87	O-ring for regulating assembly 1, 2, 3	1	W	NBR	21250	21250	102298-RMK
	O-ring for regulating assembly 0			NBR	21250		

W Parts to be kept in stock for maintenance work

3.2.2 Spare parts drawing for regulating assembly 1

Version with SRV
Set range $W_d = 20 \text{ mbar to } 500 \text{ mbar}$



3.3.2 Servicing and maintenance parts for HON 370 regulating assembly 1

Item No.	Designation	Quantity	W	Material	Part No.	
					DN 25	DN 50
100	O-ring	1	W	NBR	20588	20588
				FKM	20372	20372
110*	Main diaphragm	1	W	NBR	15056001-RMK	15056001-RMK
115	Sealing ring	1	W	LM	18710	18710
116	O-ring	1	W	NBR	20284	20284
					102298-RMK	102298-RMK
117	Guide band	1	W	KG	15056251	15056251
120**	Compensating diaphragm for valve seat \varnothing 25	1	W	KG	15025011	
120**	Compensating diaphragm for valve seat \varnothing 31	1	W		15026801	15026801
120**	Compensating diaphragm for valve seat \varnothing 50	1	W			15026002
125	Gasket for valve seat \varnothing 25	1	W	NBR	10006183	
				FKM	18355853	
125	Gasket for valve seat \varnothing 31	1	W	NBR	10009215	10009215
				FKM	10009205	10009205
125	Gasket for valve seat \varnothing 50	1	W	NBR		10009217
				FKM		10009203
126	O-ring	1	W	NBR	20451	20451
				FKM	20924-RMK	20924-RMK
129	Sealing ring	1	W	LM	18694	18694
130	O-ring	1	W	NBR	520102	520102
				FKM	102281-RMK	102281-RMK
134	Sealing ring	1	W	LM	518017	518017
136	Slotted rubber disc	1	W	KG	15056043	15056043
137	Sealing ring	1	W	LM	518017	518017

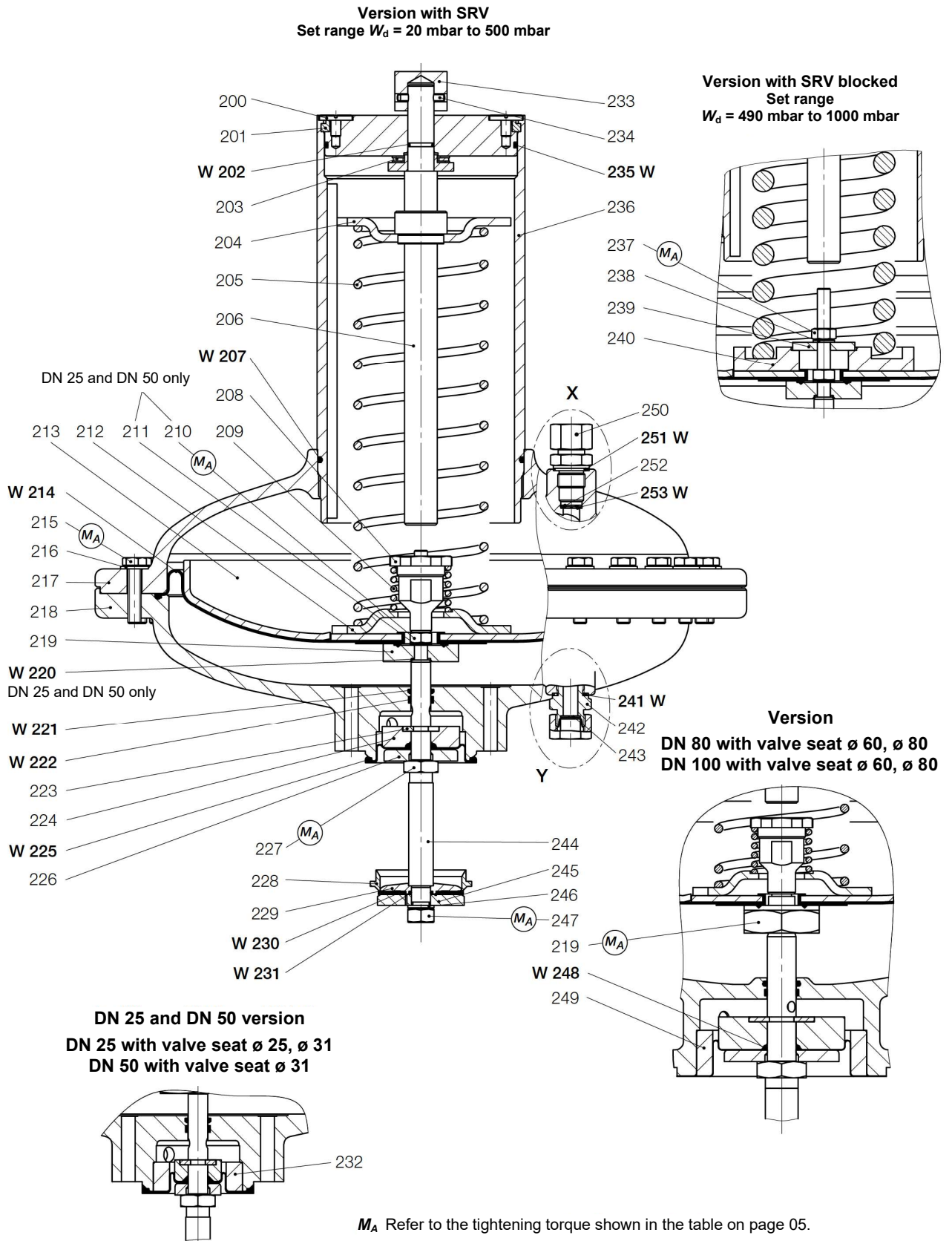
W Parts to be kept in stock for maintenance work

- * Main diaphragm item 110; 214; 359; 460; 1549 Teflon-coated as an option
- ** Compensating diaphragm item 120; 225; 388; 476 Teflon-coated as an option
- *** Safety diaphragm item 306; 326; 416 Teflon-coated as an option

3.3.3 Set ranges for regulating assembly 1 DN 25 and DN 50

Item No.	Designation	Quantity	Material	Part No.	
				DN 25	DN 50
103	Spring, either:				
103	Spring W_{ds} 20 mbar to 30 mbar	1	FSt	10007241	10007241
103	Spring W_{ds} 25 mbar to 50 mbar	1	FSt	10003629	10003629
103	Spring W_{ds} 45 mbar to 75 mbar	1	FSt	15055022	15055022
103	Spring W_{ds} 70 mbar to 100 mbar	1	FSt	10003630	10003630
103	Spring W_{ds} 90 mbar to 160 mbar	1	FSt	15055023	15055023
103	Spring W_{ds} 150 mbar to 200 mbar	1	FSt	10003631	10003631
103	Spring W_{ds} 190 mbar to 260 mbar	1	FSt	15055024	15055024
103	Spring W_{ds} 250 mbar to 300 mbar	1	FSt	10003632	10003632
103	Spring W_{ds} 290 mbar to 360 mbar	1	FSt	15055025	15055025
103	Spring W_{ds} 350 mbar to 400 mbar	1	FSt	10003633	10003633
103	Spring W_{ds} 390 mbar to 500 mbar	1	FSt	15055026	15055026
103	Spring W_{ds} 490 mbar to 560 mbar	1	FSt	15055027	15055027
103	Spring W_{ds} 550 mbar to 660 mbar	1	FSt	15055028	15055028
103	Spring W_{ds} 650 mbar to 760 mbar	1	FSt	15055029	15055029
103	Spring W_{ds} 750 mbar to 800 mbar	1	FSt	10012564	10012564
103	Spring W_{ds} 790 mbar to 900 mbar	1	FSt	15055030	15055030
103	Spring W_{ds} 890 mbar to 1000 mbar	1	FSt	15055031	15055031

3.4.1 Spare parts drawing for regulating assembly 2



3.4.2 Servicing and maintenance parts for HON 370 regulating assembly 2

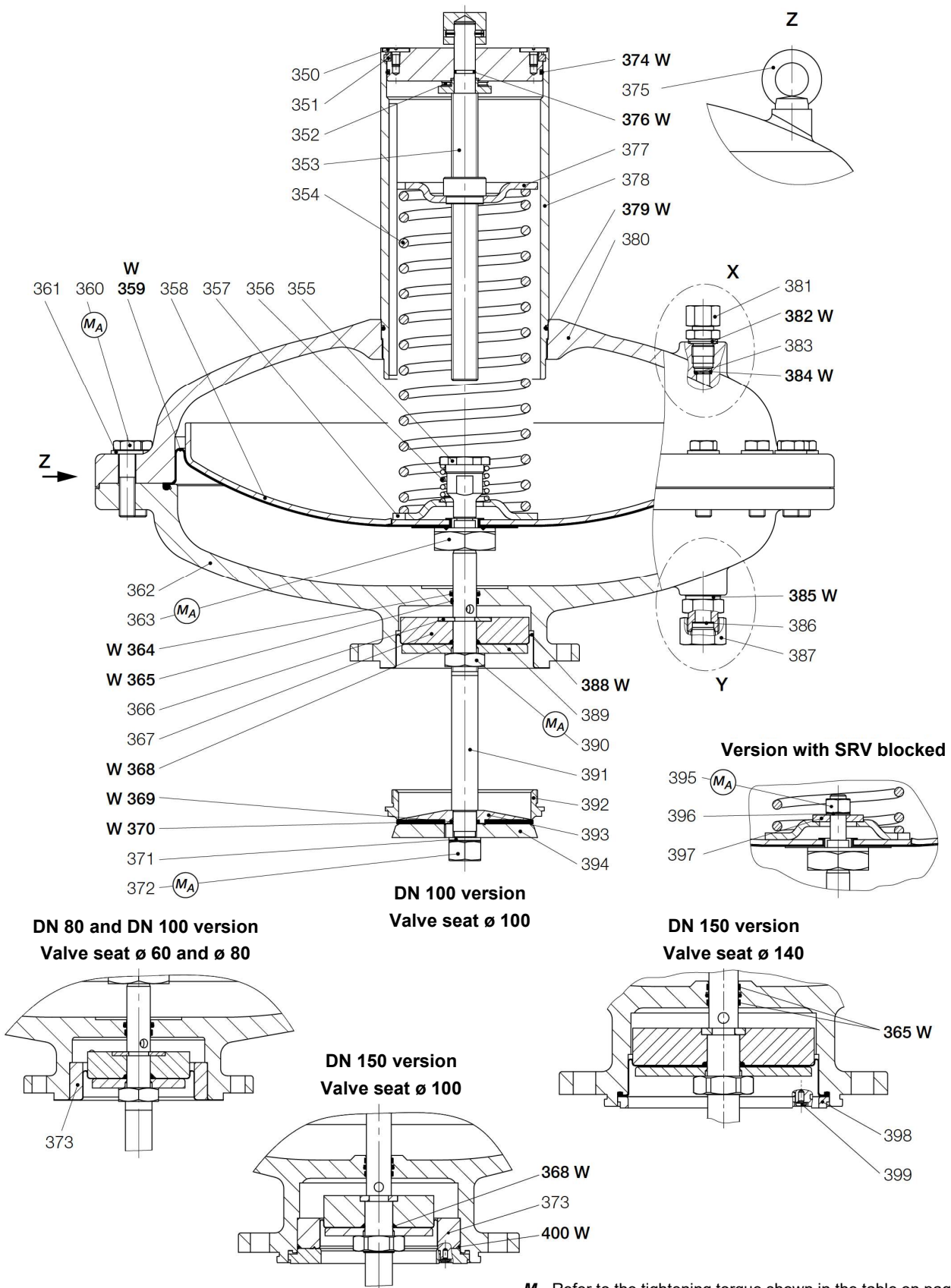
Item No.	Designation	Quantity	W	Material	Part number			
					DN 25	DN 50	DN 80	DN 100
202	O-ring	1	W	NBR	20588	20588	20588	20588
				FKM	20372	20372	20372	20372
207	O-ring	1	W	NBR	20428	20428	20428	20428
				FKM	20911	20911	20911	20911
214*	Main diaphragm	1	W	KG	15056039	15056039	15056039	15056039
220	Sealing ring	1	W	LM	18710	18710		
221	O-ring	1	W	NBR	20284	20284		
				FKM	102298-RMK	102298-RMK	20607	20607
222	Guide band	1	W	KG	15056251	15056251	15056251	15056251
225**	Compensating diaphragm for valve seat ø 25	1	W	KG	15025011			
	Compensating diaphragm for valve seat ø 31				15026801	15026801		
	Compensating diaphragm for valve seat ø 50					15026002		
	Compensating diaphragm for valve seat ø 60						10009120	10009120
	Compensating diaphragm for valve seat ø 80						10009134	10009134
	Compensating diaphragm for valve seat ø 100							10009137
230	Gasket for valve seat ø 25	1	W	NBR	10006183			
				FKM	18355853			
230	Gasket for valve seat ø 31	1	W	NBR	10009215	10009215		
				FKM	10009205	10009205		
230	Gasket for valve seat ø 50	1	W	NBR		10009217		
				FKM		10009203		
230	Gasket for valve seat ø 60	1	W	NBR			10009218	10009218
				FKM			10009214	10009214
230	Gasket for valve seat ø 80	1	W	NBR			10009219	10009219
				FKM			10009213	10009213
230	Gasket for valve seat ø 100	1	W	NBR				10009220
				FKM				10009212
231	O-ring	1	W	NBR	20451	20451	20442	20442
				FKM	20924-RMK	20924-RMK	20912	20912
235	O-ring	1	W	NBR	20248	20248	20248	20248
				FKM	20657-RMK	20657-RMK	20657-RMK	20657-RMK
241	Sealing ring	1	W	LM	518017	518017	518017	518017
248	O-ring	1	W	NBR			20442	20442
				FKM			20912	20912
251	Sealing ring	1	W	LM	518017	518017	518017	518017
253	Slotted rubber disc	1	W	KG	15056043	15056043	15056043	15056043

W Parts to be kept in stock for maintenance work

3.4.3 Set ranges for regulating assembly 2 DN 25, DN 50, DN 80, DN 100 and DN 150

Item No.	Designation	Quantity	Material	Part number			
				DN 25	DN 50	DN 80	DN 100
204	Spring plate, complete, for either:						
204	$W_{ds} = 20 \text{ mbar to } 500 \text{ mbar}$	1	St/Ms	10009067	10009067	10009067	10009067
204	$W_{ds} = 490 \text{ mbar to } 1000 \text{ mbar}$	1	Ms	10009167	10009167	10009167	10009167
205	Spring, for either:						
205	$W_{ds} = 20 \text{ mbar to } 30 \text{ mbar}$	1	FSt	15056070	15056070	15056070	15056070
205	$W_{ds} = 25 \text{ mbar to } 50 \text{ mbar}$	1	FSt	10009068	10009068	10009068	10009068
205	$W_{ds} = 45 \text{ mbar to } 75 \text{ mbar}$	1	FSt	15056072	15056072	15056072	15056072
205	$W_{ds} = 70 \text{ mbar to } 100 \text{ mbar}$	1	FSt	10009069	10009069	10009069	10009069
205	$W_{ds} = 90 \text{ mbar to } 160 \text{ mbar}$	1	FSt	15056073	15056073	15056073	15056073
205	$W_{ds} = 150 \text{ mbar to } 200 \text{ mbar}$	1	FSt	10009070	10009070	10009070	10009070
205	$W_{ds} = 190 \text{ mbar to } 260 \text{ mbar}$	1	FSt	15056074	15056074	15056074	15056074
205	$W_{ds} = 250 \text{ mbar to } 300 \text{ mbar}$	1	FSt	15056075	15056075	15056075	15056075
205	$W_{ds} = 290 \text{ mbar to } 360 \text{ mbar}$	1	FSt	15056076	15056076	15056076	15056076
205	$W_{ds} = 350 \text{ mbar to } 400 \text{ mbar}$	1	FSt	10009072	10009072	10009072	10009072
205	$W_{ds} = 390 \text{ mbar to } 500 \text{ mbar}$	1	FSt	10009073	10009073	10009073	10009073
205	$W_{ds} = 490 \text{ mbar to } 560 \text{ mbar}$	1	FSt	15056077	15056077	15056077	15056077
205	$W_{ds} = 550 \text{ mbar to } 660 \text{ mbar}$	1	FSt	15056078	15056078	15056078	15056078
205	$W_{ds} = 650 \text{ mbar to } 760 \text{ mbar}$	1	FSt	15056079	15056079	15056079	15056079
205	$W_{ds} = 750 \text{ mbar to } 800 \text{ mbar}$	1	FSt	10009164	10009164	10009164	10009164
205	$W_{ds} = 790 \text{ mbar to } 900 \text{ mbar}$	1	FSt	15056081	15056081	15056081	15056081
205	$W_{ds} = 890 \text{ mbar to } 1000 \text{ mbar}$	1	FSt	15056082	15056082	15056082	15056082
209	Spring for SRV, either:						
209	Spring $p_d + 15 \text{ mbar}$	1	FSt	10009151	10009151	10009151	10009151
209	Spring $p_d + 30 \text{ mbar}$	1	FSt	10009152	10009152	10009152	10009152
209	Spring $p_d + 60 \text{ mbar}$	1	FSt	10009153	10009153	10009153	10009153
212	Spring plate, for either:						
212	$W_{ds} = 20 \text{ mbar to } 500 \text{ mbar}$	1	St	18357835	18357835	18357835	18357835
212	$W_{ds} = 490 \text{ mbar to } 1000 \text{ mbar}$	1	St	15056065	15056065	15056065	15056065

3.5.1 Spare parts drawing for regulating assembly 3



M_A Refer to the tightening torque shown in the table on page 05.
W Parts to be kept in stock for maintenance work

3.5.2 Servicing and maintenance parts for HON 370 regulating assembly 3

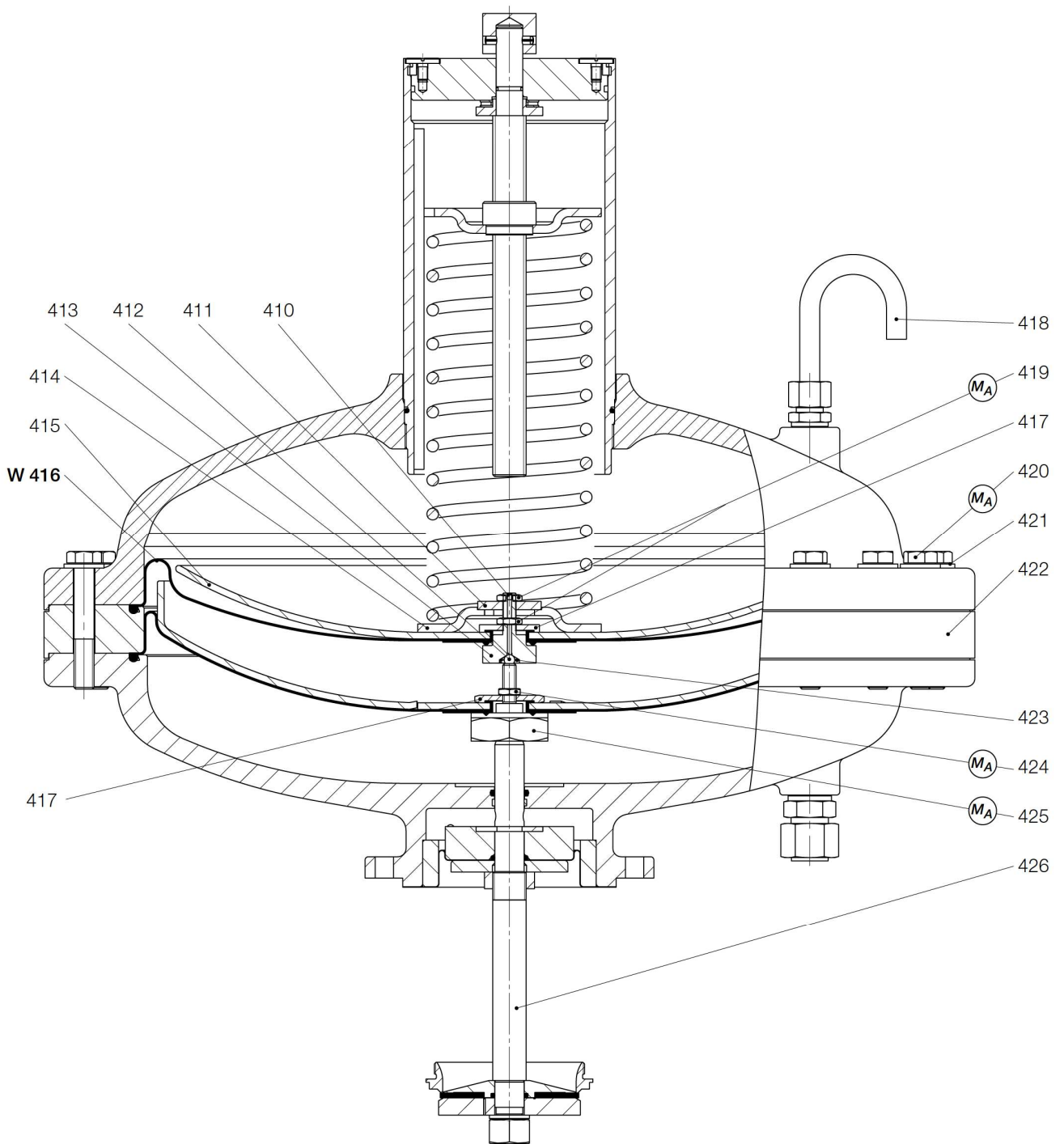
Item No.	Designation	Quantity	W	Material	Part No.		
					DN 80	DN 100	DN 150
359*	Main diaphragm	1	W	KG	15058021	15058021	15058021
364	O-ring	1	W	NBR	20607	20607	20323
				FKM			20619-RMK
365	Guide band	1	W	KG	15057251	15057251	
365	Guide band	2	W	KG			15059251
368	O-ring	1	W	NBR	20442	20442	20327-RMK
				FKM	20912	20912	20616
369	O-ring	1	W	NBR	20442	20442	20323
				FKM	20912	20912	20619-RMK
370	Gasket for valve seat \varnothing 60	1	W	NBR	10009218	10009218	
				FKM	10009214	10009214	
370	Gasket for valve seat \varnothing 80	1	W	NBR	10009219	10009219	
				FKM	10009213	10009213	
370	Gasket for valve seat \varnothing 100	1	W	NBR		10009220	15059054
				FKM		10009212	15801468
370	Gasket for valve seat \varnothing 140	1	W	NBR			15801762
				FKM			10031890
374	O-ring	1	W	NBR	20248	20248	20248
				FKM	20657-RMK	20657-RMK	20657-RMK
376	O-ring	1	W	NBR	20588	20588	20588
				FKM	20372	20372	20372
379	O-ring	1	W	NBR	20428	20428	20428
				FKM	20911	20911	20911
382	Sealing ring	1	W	LM	518017	518017	518017
384	Slotted rubber disc	1	W	KG	15056043	15056043	15056043
385	Sealing ring	1	W	LM	18684	18684	18684
388**	Compensating diaphragm for valve seat \varnothing 60	1	W	KG	10009120	10009120	
388**	Compensating diaphragm for valve seat \varnothing 80	1	W	KG	10009134	10009134	
388**	Compensating diaphragm for valve seat \varnothing 100	1	W	KG		10009137	15059057
388**	Compensating diaphragm for valve seat \varnothing 140	1	W	KG			15059024
400	O-ring	1	W	NBR			21267
				FKM			102415

W Parts to be kept in stock for maintenance work

3.5.3 Set ranges for HON 370 regulating assembly 3

Item No.	Designation	Quantity	Material	Part No.		
				DN 80	DN 100	DN 150
354	Spring, for either:					
354	$W_{ds} = 20 - 30$ mbar	1	FSt	15056083	15056083	15056083
354	$W_{ds} = 25 - 50$ mbar	1	FSt	15056084	15056084	15056084
354	$W_{ds} = 45 - 75$ mbar	1	FSt	15056085	15056085	15056085
354	$W_{ds} = 70 - 100$ mbar	1	FSt	15056086	15056086	15056086
354	$W_{ds} = 90 - 160$ mbar	1	FSt	15056087	15056087	15056087
354	$W_{ds} = 150 - 250$ mbar	1	FSt	15056088	15056088	15056088
356	Spring for SRV, either:					
356	Spring $p_d + 15$ mbar	1	FSt	10009152	10009152	10009152
356	Spring $p_d + 30$ mbar	1	FSt	10009153	10009153	10009153

3.6.1 Spare parts drawing for HON 370 regulating assembly with safety diaphragm shows regulating assembly 3



M_A Refer to the tightening torque shown in the table on page 05.

W Parts to be kept in stock for maintenance work

3.6.2 Servicing and maintenance parts for HON 370 regulating assembly with safety diaphragm

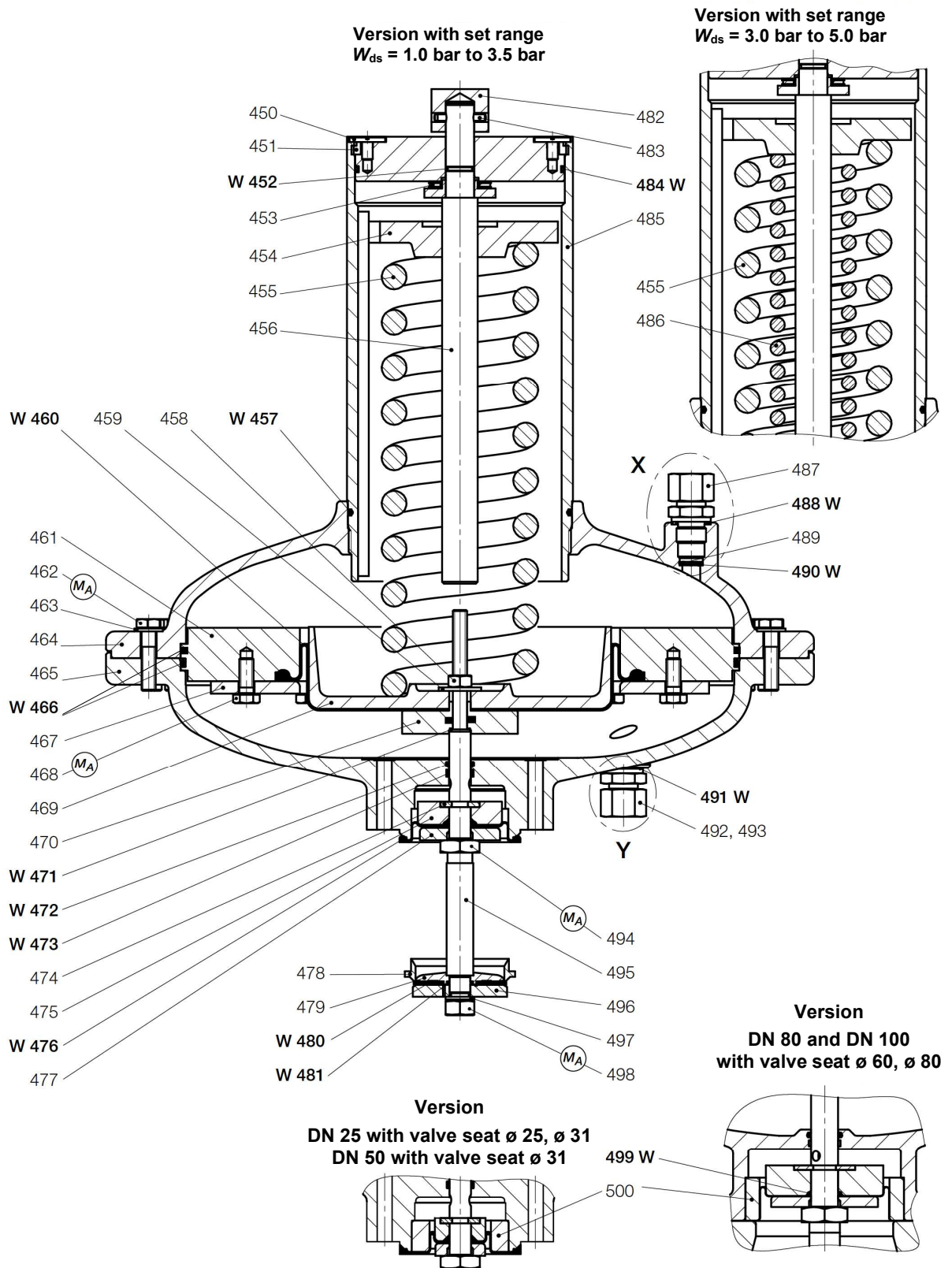
Item No.	Designation	Quantity	W	Material	Part No.		
					DN 25	DN 50	DN 80
<i>Regulating assembly 1</i>							
306***	Safety diaphragm	1	W	KG	15056603	15056603	
<i>Regulating assembly 2</i>							
326***	Safety diaphragm	1	W	KG		15056913	15056913
<i>Regulating assembly 3</i>							
416***	Safety diaphragm	1	W	KG			15057613

Item No.	Designation	Quantity	W	Material	Part No.		
					DN 100	DN 150	
<i>Regulating assembly 2</i>							
326***	Safety diaphragm	1	W	KG	15056913	15056913	
<i>Regulating assembly 3</i>							
416***	Safety diaphragm	1	W	KG	15057613	15057613	

W Parts to be kept in stock for maintenance work

3.7.1 Spare parts drawing for regulating assembly 2-0 DN 25, DN 50, DN 80, DN 100

Version from 04/2013



M_A Refer to the tightening torque shown in the table on page 05.

W Parts to be kept in stock for maintenance work

3.7.2 Servicing and maintenance parts for regulating assembly 2-0 DN 25, DN 50, DN 80, DN 100

Version from 04/2013

Item No.	Designation	Quantity	W	Material	Part No.			
					DN 25	DN 50	DN 80	DN 100
452	O-ring	1	W	NBR	20588	20588	20588	20588
				FKM	20372	20372	20372	20372
457	O-ring	1	W	NBR	20428	20428	20428	20428
				FKM	20911	20911	20911	20911
460*	Main diaphragm	1	W	FSt	15057061	15057061	15057061	15057061
466	O-ring	2	W	NBR	21311	21311	21311	21311
				FKM	102450-RMK	102450-RMK	102450-RMK	102450-RMK
471	Sealing ring	1	W	LM	18710	18710	18740	18740
472	O-ring	1	W	NBR	20284	20284	20607	20607
				FKM	102298-RMK	102298-RMK		
473	Guide band	1	W	KG	15056251	15056251	15057251	15057251
476**	Compensating diaphragm for valve seat ø 25	1	W	KG	15025011			
476**	Compensating diaphragm for valve seat ø 31	1	W	KG	15026801	15026801		
476**	Compensating diaphragm for valve seat ø 50	1	W	KG		15026002		
476**	Compensating diaphragm for valve seat ø 60	1	W	KG			10009120	10009120
476**	Compensating diaphragm for valve seat ø 80	1	W	KG			10009134	10009134
476**	Compensating diaphragm for valve seat ø 100	1	W	KG				10009137
480	Gasket for valve seat ø 25	1	W	NBR	10006183			
				FKM	18355853			
480	Gasket for valve seat ø 31	1	W	NBR	10009215	10009215		
				FKM	10009205	10009205		
480	Gasket for valve seat ø 50	1	W	NBR		10009217		
				FKM		10009203		
480	Gasket for valve seat ø 60	1	W	NBR			10009218	10009218
				FKM			10009214	10009214
480	Gasket for valve seat ø 80	1	W	NBR			10009219	10009219
				FKM			10009213	10009213
480	Gasket for valve seat ø 100	1	W	NBR				10009220
				FKM				10009212
481	O-ring	1	W	NBR	20451	20451	20442	20442
				FKM	20924-RMK	20924-RMK	20912	20912
484	O-ring	1	W	NBR	20248	20248	20248	20248
				FKM	20657-RMK	20657-RMK	20657-RMK	20657-RMK
488	Sealing ring	1	W	LM	518017	518017	518017	518017
490	Slotted rubber disc	1	W	KG	15056043	15056043	15056043	15056043
491	Sealing ring	1	W	LM	518017	518017	518017	518017
499	O-ring	1	W	NBR			20442	20442
	O-ring	1	W	FKM			20912	20912

W Parts to be kept in stock for maintenance work

3.7.3 Set ranges for regulating assembly 2-0 DN 25, DN 50, DN 80, DN 100

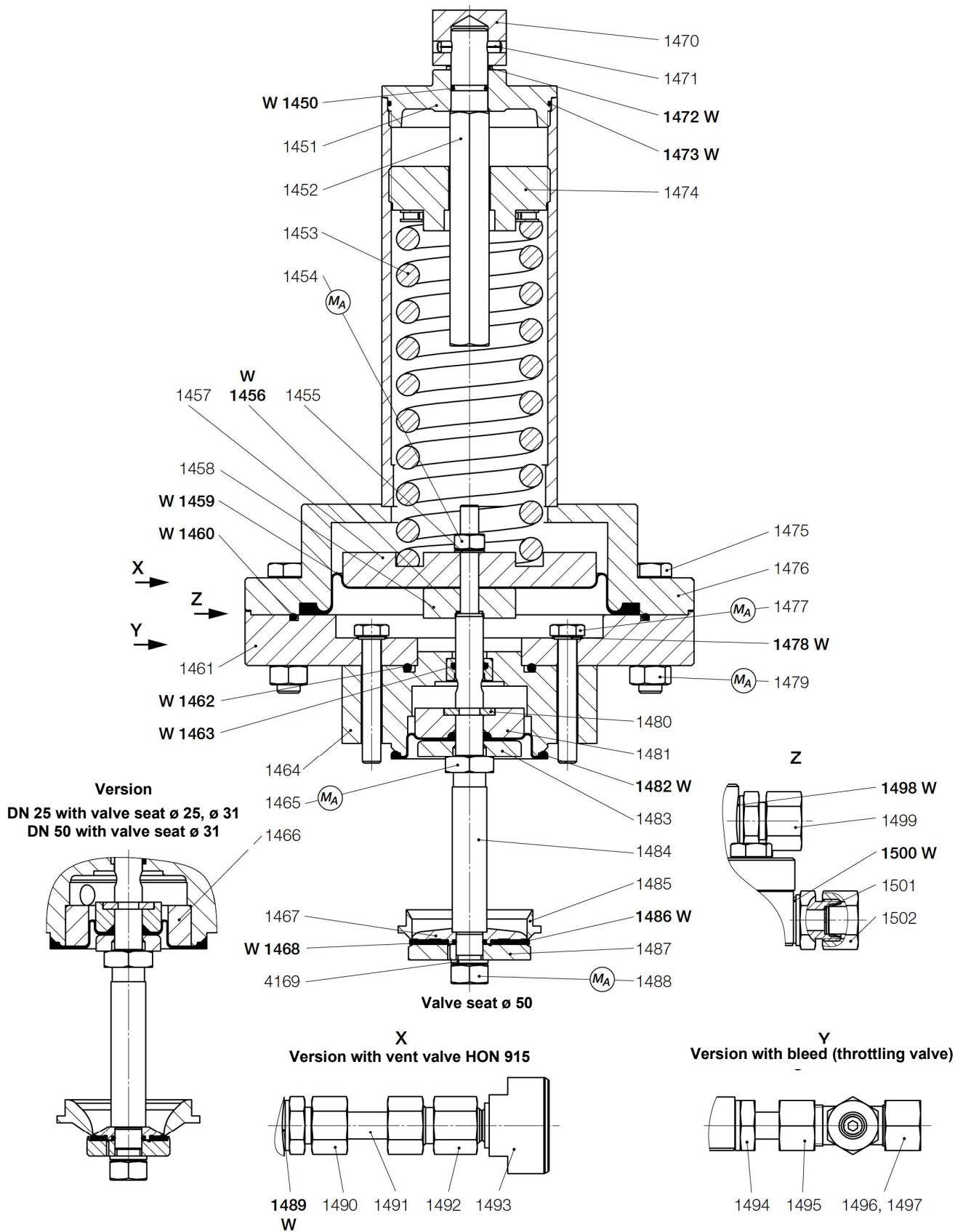
Version from 04/2013

Item No.	Designation	Quantity	Material	Part No.			
				DN 25	DN 50	DN 80	DN 100
455	Spring, for either:						
455	$W_{ds} = 1.0 \text{ bar to } 2.0 \text{ bar}$	1	FSt	10009163	10009163	10009163	10009163
455	$W_{ds} = 1.5 \text{ bar to } 3.0 \text{ bar}$	1	FSt	10009164	10009164	10009164	10009164
455	$W_{ds} = 2.5 \text{ bar to } 3.5 \text{ bar}$	1	FSt	10009165	10009165	10009165	10009165
*455	$W_{ds} = 3.0 \text{ bar to } 4.5 \text{ bar}$	1	FSt	10009165	10009165	10009165	10009165
*455	$W_{ds} = 4.0 \text{ bar to } 5.0 \text{ bar}$	1	FSt	10009165	10009165	10009165	10009165
486	Spring, for either:						
*486	$W_{ds} = 3.0 \text{ bar to } 4.5 \text{ bar}$	1	FSt	15802186	15802186	15802186	15802186
*486	$W_{ds} = 4.0 \text{ bar to } 5.0 \text{ bar}$	1	FSt	102910	102910	102910	102910

* For the version with set range $W_{ds} = 3.0 \text{ bar to } 5.0 \text{ bar}$, use spring item 455 with spring item 486.

3.8.1 Spare parts drawing for regulating assembly 2-0 DN 25 and DN 50

Version up to 03/2013



Version
DN 25 with valve seat $\varnothing 25$, $\varnothing 31$
DN 50 with valve seat $\varnothing 31$

Valve seat $\varnothing 50$

X
Version with vent valve HON 915

Y
Version with bleed (throttling valve)

MA Refer to the tightening torque shown in the table on page 05.
W Parts to be kept in stock for maintenance work

3.8.2 Servicing and maintenance parts for regulating assembly 2-0 DN 25 and DN 50

Version up to 03/2013

Item No.	Designation	Quantity	W	Material	Part No.	
					DN 25	DN 50
1450	O-ring	1	W	KG	20588	20588
1456	Sealing ring	1	W	LM	18710	18710
1459*	Main diaphragm	1	W	KG	15026705	15026705
1460	O-ring	1	W	KG	520082	520082
1462	O-ring	1	W	KG	20325	20325
1463	O-ring	1	W	KG	21252	21252
1467	Thrust piece for valve seat \varnothing 25	1	W	LM	10006184	
1467	Thrust piece for valve seat \varnothing 31	1	W	LM	10009199	10009199
1467	Thrust piece for valve seat \varnothing 50	1	W	LM		15056035
1468	O-ring	1	W	KG	20451	20451
1472	Sealing ring	1	W	LM	18694	18694
1473	O-ring	1	W	KG	102281	102281
1478	Sealing ring	4	W	LM	18710	18710
1482**	Compensating diaphragm for valve seat \varnothing 25	1	W	KG	15025011	
1482**	Compensating diaphragm for valve seat \varnothing 31	1	W	KG	15026801	15026801
1482**	Compensating diaphragm for valve seat \varnothing 50	1	W	KG		15026002
1486	Gasket for valve seat \varnothing 25	1	W	KG	10006183	
1486	Gasket for valve seat \varnothing 31	1	W	KG	10009215	10009215
1486	Gasket for valve seat \varnothing 50	1	W	KG		10009217
1489	Sealing ring	1	W	LM	518017	518017
1498	Sealing ring	1	W	LM	518017	518017
1500	Sealing ring	1	W	LM	518017	518017

W Parts to be kept in stock for maintenance work

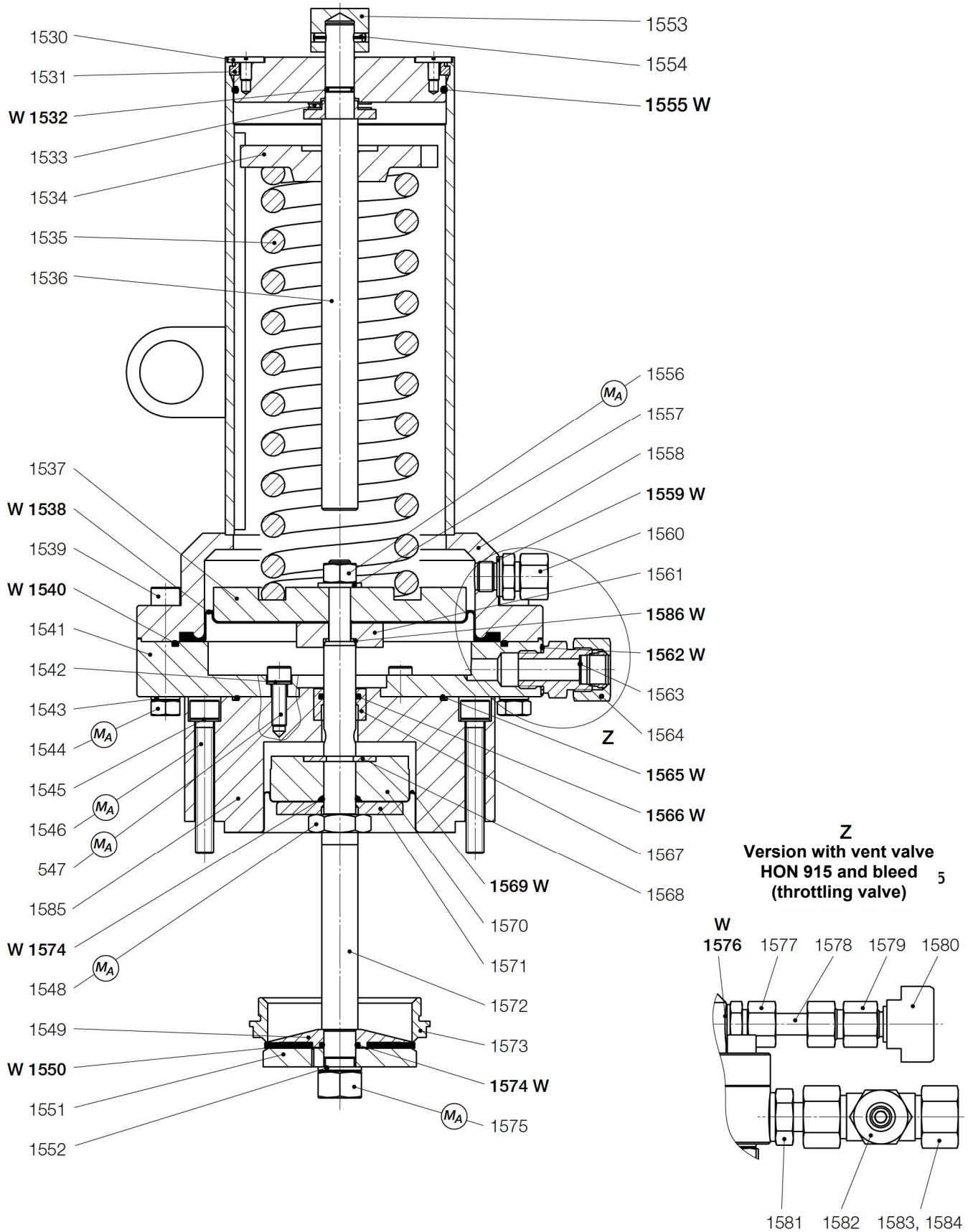
3.8.3 Set ranges for regulating assembly 2-0 DN 25 and DN 50

Version up to 03/2013

Item No.	Designation	Quantity	Material	Part No.	
				DN 25	DN 50
1453	Spring, either:				
1453	Spring W_{ds} 1.0 bar to 2.5 bar	1	FSt	10012563	10012563
1453	Spring W_{ds} 2.0 bar to 4.0 bar	1	FSt	15026106	15026106

3.9.1 Spare parts drawing for regulating assembly 2-0 DN 80

Version up to 03/2013



MA Refer to the tightening torque shown in the table on page 05.

W Parts to be kept in stock for maintenance work

3.9.2 Servicing and maintenance parts for regulating assembly 2-0 DN 80

Version up to 03/2013

Item No.	Designation	Quantity	W	Material	Part No.
					DN 80
1532	O-ring	1	W	KG	20588
1538*	Main diaphragm	1	W	KG	15039104
1540	O-ring	1	W	KG	520081
1550	Gasket for valve seat \varnothing 60	1	W	KG	10009218
1550	Gasket for valve seat \varnothing 80	1	W	KG	10009219
1555	O-ring	1	W	KG	20248
1559	Sealing ring	1	W	LM	518017
1562	Sealing ring	1	W	LM	18684
1565	O-ring	1	W	KG	20335
1566	O-ring	1	W	KG	20607
1569	Compensating diaphragm for valve seat \varnothing 60	1	W	KG	10009120
1569	Compensating diaphragm for valve seat \varnothing 80	1	W	KG	10009134
1574	O-ring	2	W	KG	20442
1576	Sealing ring	1	W	LM	518017
1586	Sealing ring	1	W	LM	518001

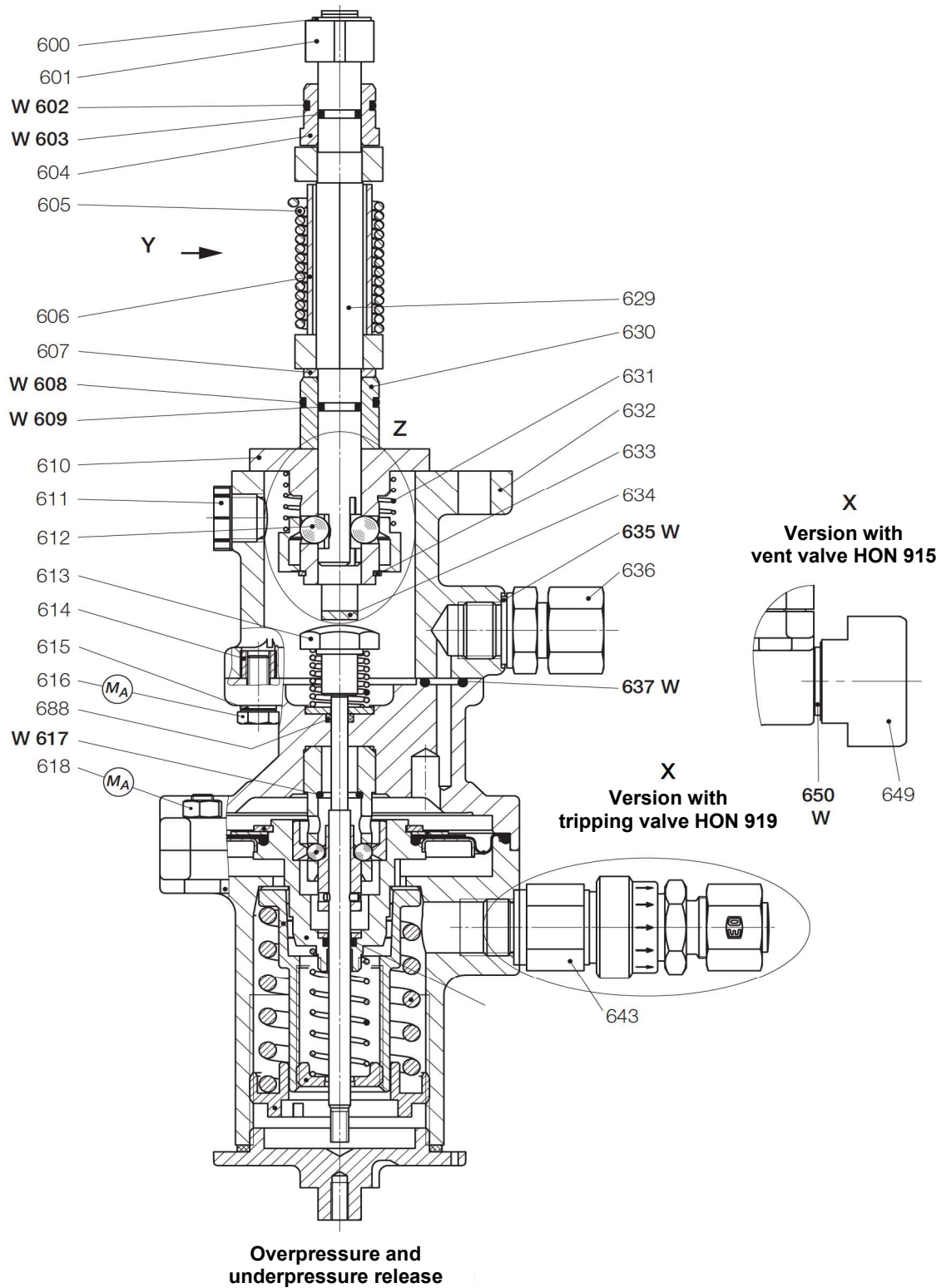
W Parts to be kept in stock for maintenance work

3.9.3 Set ranges for regulating assembly 2-0 DN 80

Version up to 03/2013

Item No.	Designation	Quantity	Material	Part No.
				DN 80
1535	Spring W_{ds} 1.0 bar to 2.5 bar	1	FSt	10009163
1535	Spring W_{ds} 2.0 bar to 4.0 bar	1	FSt	10009164

3.10.1 Spare parts drawing for HON 370 SSV unit, all nominal sizes



M_A Refer to the tightening torque shown in the table on page 05.

W Parts to be kept in stock for maintenance work

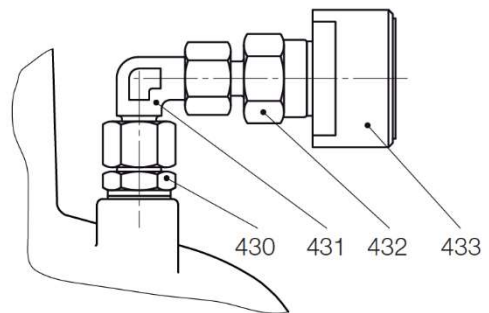
3.10.2 Servicing and maintenance parts for HON 370 SSV unit, all nominal sizes

Item No.	Designation	No.	W	Material	Part number		
					DN 25	DN 50	DN 80
602	O-ring	1	W	NBR	21253	21253	21253
				FKM	102435	102435	102435
603	O-ring	1	W	NBR	21250	21250	21250
				FKM	21176-RMK	21176-RMK	21176-RMK
608	O-ring	1	W	NBR	21254	21254	102299-RMK
				FKM	102437	102437	102449-RMK
609	O-ring	1	W	NBR	21250	21250	21250
				FKM	21176-RMK	21176-RMK	21176-RMK
635	Sealing ring	1	W	LM	518017	518017	518017
637	O-ring	1	W	NBR	21251	21251	21251
				FKM	102435	102435	102435
650	Sealing ring	1	W	LM	518017	518017	518017
654	Locking ring	2	W	NFSt			19199
660	Split pin	1	W	NSt	15043	15043	15043
662	Locking ring	1	W	NFSt	19197	19197	19197
664	O-ring	1	W	NBR	21255-RMK	21259-RMK	21262-RMK
				FKM	102438-RMK	102444	102445-RMK
666	Piston, vulcanized	1	W	NSt/NBR	15026110	15026110	15026110
				NSt/FKM	10031885	10031885	10031885
670	Locking ring	1	W	NFSt		19198	19198
671	O-ring	1	W	NBR		21260-RMK	21260-RMK
				FKM		102443-RMK	102443-RMK

W Parts to be kept in stock for maintenance work

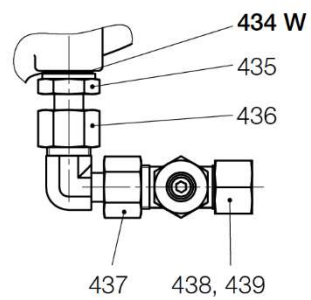
4.1 Details X and Y

Details X Vent valve HON 915 for regulating assembly 1, 2 and 3

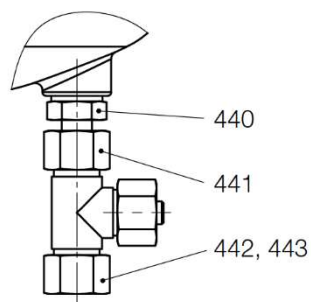


Details Y Bleed (throttling valve)

Version for regulating assembly 1 and 2



Version for regulating assembly 3



M_A Refer to the tightening torque shown in the table on page 05.

W Parts to be kept in stock for maintenance work

5.1 Spare parts kits

5.1.1 HON 370 nominal sizes DN 25, DN 50 and DN 80

Designation	Description	NBR part No.	FKM part No.
Spare parts kit HON 370 DN 25	comprising: <ul style="list-style-type: none"> ▪ 4 x Item 2 ▪ 1 x Item 7 ▪ 1 x Item 15 ▪ 1 x Item 17 ▪ 1 x Item 21 ▪ 1 x Item 36 ▪ 2 x Item 39 ▪ 2 x Item 41 	K370-001	K370-039

Designation	Description	NBR part No.	FKM part No.
Spare parts kit HON 370 DN 50	comprising: <ul style="list-style-type: none"> ▪ 4 x Item 2 ▪ 1 x Item 7 ▪ 1 x Item 15 ▪ 1 x Item 16 ▪ 1 x Item 17 ▪ 1 x Item 21 ▪ 1 x Item 36 ▪ 2 x Item 39 ▪ 2 x Item 41 	K370-002	K370-040

Designation	Description	NBR part No.	FKM part No.
Spare parts kit HON 370 DN 80	comprising: <ul style="list-style-type: none"> ▪ 1 x Item 62 ▪ 1 x Item 74 ▪ 1 x Item 78 ▪ 1 x Item 84 ▪ 2 x Item 86 ▪ 1 x Item 87 	K370-011	K370-041

5.1.2 Spare parts kits HON 370 nominal sizes DN 100 and DN 150

Designation	Description	NBR part No.	FKM part No.
Spare parts kit HON 370 DN 100	comprising: <ul style="list-style-type: none"> ▪ 1 x Item 62 ▪ 1 x Item 74 ▪ 1 x Item 78 ▪ 1 x Item 84 ▪ 2 x Item 86 ▪ 1 x Item 87 	K370-012	K370-042

Designation	Description	NBR part No.	FKM part No.
Spare parts kit HON 370 DN 150	comprising: <ul style="list-style-type: none"> ▪ 1 x Item 72 ▪ 1 x Item 74 ▪ 1 x Item 78 ▪ 1 x Item 84 ▪ 2 x Item 86 ▪ 1 x Item 87 	K370-013	K370-043

5.2.1 Spare parts kits for regulating assembly 1

Designation	Description	NBR part No.	FKM part No.
Spare parts kit HON 370 Regulating assembly 1 Valve seat \varnothing 25	comprising:	K370-003	K370-044
	▪ 1 x Item 100		
	▪ 1 x Item 110*		
	▪ 1 x Item 115		
	▪ 1 x Item 116		
	▪ 1 x Item 117		
	▪ 1 x Item 120**		
	▪ 1 x Item 125		
	▪ 1 x Item 126		
	▪ 1 x Item 129		
	▪ 1 x Item 130		
	▪ 1 x Item 134		
	▪ 1 x Item 136		
	▪ 1 x Item 137		

Designation	Description	NBR part No.	FKM part No.
Spare parts kit HON 370 Regulating assembly 1 Valve seat \varnothing 31	comprising:	K370-004	K370-045
	▪ 1 x Item 100		
	▪ 1 x Item 110*		
	▪ 1 x Item 115		
	▪ 1 x Item 116		
	▪ 1 x Item 117		
	▪ 1 x Item 120**		
	▪ 1 x Item 125		
	▪ 1 x Item 126		
	▪ 1 x Item 129		
	▪ 1 x Item 130		
	▪ 1 x Item 134		
	▪ 1 x Item 136		
	▪ 1 x Item 137		

5.2.1 Spare parts kits for regulating assembly 1

Designation	Description	NBR part No.	FKM part No.
Spare parts kit HON 370 Regulating assembly 1 Valve seat ø 50	comprising: <ul style="list-style-type: none"> ▪ 1 x Item 100 ▪ 1 x Item 110* ▪ 1 x Item 115 ▪ 1 x Item 116 ▪ 1 x Item 117 ▪ 1 x Item 120** ▪ 1 x Item 125 ▪ 1 x Item 126 ▪ 1 x Item 129 ▪ 1 x Item 130 ▪ 1 x Item 134 ▪ 1 x Item 136 ▪ 1 x Item 137 	K370-005	K370-046

Designation	Description	NBR part No.	FKM part No.
Spare parts kit HON 370 Regulating assembly 1 Safety diaphragm	comprising: <ul style="list-style-type: none"> ▪ 1 x Item 306*** 	K370-006	K370-

5.2.2 Spare parts kits for regulating assembly 2

Designation	Description	NBR part No.	FKM part No.
Spare parts kit HON 370 Regulating assembly 2 Valve seat ø 25	comprising:	K370-007	K370-047
	▪ 1 x Item 202		
	▪ 1 x Item 207		
	▪ 1 x Item 214*		
	▪ 1 x Item 220		
	▪ 1 x Item 221		
	▪ 1 x Item 222		
	▪ 1 x Item 225**		
	▪ 1 x Item 230		
	▪ 1 x Item 231		
	▪ 1 x Item 235		
	▪ 1 x Item 241		
	▪ 1 x Item 251		
▪ 1 x Item 253			

Designation	Description	NBR part No.	FKM part No.
Spare parts kit HON 370 Regulating assembly 2 Valve seat ø 31	comprising:	K370-008	K370-048
	▪ 1 x Item 202		
	▪ 1 x Item 207		
	▪ 1 x Item 214*		
	▪ 1 x Item 220		
	▪ 1 x Item 221		
	▪ 1 x Item 222		
	▪ 1 x Item 225**		
	▪ 1 x Item 230		
	▪ 1 x Item 231		
	▪ 1 x Item 235		
	▪ 1 x Item 241		
	▪ 1 x Item 251		
▪ 1 x Item 253			

5.2.2 Spare parts kits for regulating assembly 2

Designation	Description	NBR part No.	FKM part No.
Spare parts kit HON 370 Regulating assembly 2 Valve seat ø 50	comprising:	K370-009	K370-049
	▪ 1 x Item 202		
	▪ 1 x Item 207		
	▪ 1 x Item 214*		
	▪ 1 x Item 220		
	▪ 1 x Item 221		
	▪ 1 x Item 222		
	▪ 1 x Item 225**		
	▪ 1 x Item 230		
	▪ 1 x Item 231		
	▪ 1 x Item 235		
	▪ 1 x Item 241		
	▪ 1 x Item 251		
▪ 1 x Item 253			

Designation	Description	NBR part No.	FKM part No.
Spare parts kit HON 370 Regulating assembly 2 Valve seat ø 60	comprising:	K370-014	K370-050
	1 x Item 202		
	▪ 1 x Item 207		
	▪ 1 x Item 214*		
	▪ 1 x Item 221		
	▪ 1 x Item 222		
	▪ 1 x Item 225**		
	▪ 1 x Item 230		
	▪ 1 x Item 231		
	▪ 1 x Item 235		
	▪ 1 x Item 241		
	▪ 1 x Item 248		
	▪ 1 x Item 251		
▪ 1 x Item 253			

Designation	Description	NBR part No.	FKM part No.
Spare parts kit HON 370 Regulating assembly 2 Valve seat ø 80	comprising:	K370-015	K370-051
	▪ 1 x Item 202		
	▪ 1 x Item 207		
	▪ 1 x Item 214*		
	▪ 1 x Item 221		
	▪ 1 x Item 222		
	▪ 1 x Item 225**		
	▪ 1 x Item 230		
	▪ 1 x Item 231		
	▪ 1 x Item 235		
	▪ 1 x Item 241		
	▪ 1 x Item 248		
	▪ 1 x Item 251		
▪ 1 x Item 253			

5.2.2 Spare parts kits for regulating assembly 2

Designation	Description	NBR part No.	FKM part No.
Spare parts kit HON 370 Regulating assembly 2 Valve seat ø 100	comprising:	K370-016	K370-052
	▪ 1 x Item 202		
	▪ 1 x Item 207		
	▪ 1 x Item 214*		
	▪ 1 x Item 221		
	▪ 1 x Item 222		
	▪ 1 x Item 225**		
	▪ 1 x Item 230		
	▪ 1 x Item 231		
	▪ 1 x Item 235		
	▪ 1 x Item 241		
	▪ 1 x Item 248		
	▪ 1 x Item 251		
▪ 1 x Item 253			

Designation	Description	NBR part No.	FKM part No.
Spare parts kit HON 370 Regulating assembly 2 Safety diaphragm	comprising:	K370-010	
	▪ 1 x Item 326***		

5.2.3 Spare parts kits for HON 370 regulating assembly 3

Designation	Description	NBR part No.	FKM part No.
Spare parts kit HON 370 DN80+100 Regulating assembly 3 Valve seat \varnothing 60	comprising: <ul style="list-style-type: none"> ▪ 1 x Item 359* ▪ 1 x Item 364 ▪ 1 x Item 365 ▪ 1 x Item 368 ▪ 1 x Item 369 ▪ 1 x Item 370 ▪ 1 x Item 374 ▪ 1 x Item 376 ▪ 1 x Item 379 ▪ 1 x Item 382 ▪ 1 x Item 384 ▪ 1 x Item 385 ▪ 1 x Item 388** 	K370-017	K370-053

Designation	Description	NBR part No.	FKM part No.
Spare parts kit HON 370 DN80+100 Regulating assembly 3 Valve seat \varnothing 80	comprising: <ul style="list-style-type: none"> ▪ 1 x Item 359* ▪ 1 x Item 364 ▪ 1 x Item 365 ▪ 1 x Item 368 ▪ 1 x Item 369 ▪ 1 x Item 370 ▪ 1 x Item 374 ▪ 1 x Item 376 ▪ 1 x Item 379 ▪ 1 x Item 382 ▪ 1 x Item 384 ▪ 1 x Item 385 ▪ 1 x Item 388** 	K370-018	K370-054

5.2.3 Spare parts kits for HON 370 regulating assembly 3

Designation	Description	NBR part No.	FKM part No.
Spare parts kit HON 370 DN80+100 Regulating assembly 3 Valve seat ø 100	comprising: ▪ 1 x Item 359* ▪ 1 x Item 364 ▪ 1 x Item 365 ▪ 1 x Item 368 ▪ 1 x Item 369 ▪ 1 x Item 370 ▪ 1 x Item 374 ▪ 1 x Item 376 ▪ 1 x Item 379 ▪ 1 x Item 382 ▪ 1 x Item 384 ▪ 1 x Item 385 ▪ 1 x Item 388**	K370-019	K370-055

Designation	Description	NBR part No.	FKM part No.
Spare parts kit HON 370 DN150 Regulating assembly 3 Valve seat ø 100	comprising: ▪ 1 x Item 359* ▪ 1 x Item 364 ▪ 2 x Item 365 ▪ 1 x Item 368 ▪ 1 x Item 369 ▪ 1 x Item 370 ▪ 1 x Item 374 ▪ 1 x Item 376 ▪ 1 x Item 379 ▪ 1 x Item 382 ▪ 1 x Item 384 ▪ 1 x Item 385 ▪ 1 x Item 388** ▪ 1 x Item 400	K370-020	K370-056

5.2.3 Spare parts kits for HON 370 regulating assembly 3

Designation	Description	NBR part No.	FKM part No.
Spare parts kit HON 370 DN150 Regulating assembly 3 Valve seat ø 140	comprising: ▪ 1 x Item 359* ▪ 1 x Item 364 ▪ 2 x Item 365 ▪ 1 x Item 368 ▪ 1 x Item 369 ▪ 1 x Item 370 ▪ 1 x Item 374 ▪ 1 x Item 376 ▪ 1 x Item 379 ▪ 1 x Item 382 ▪ 1 x Item 384 ▪ 1 x Item 385 ▪ 1 x Item 388** ▪ 1 x Item 400	K370-021	K370-057

Designation	Description	NBR part No.
Spare parts kit HON 370 Regulating assembly 3 Safety diaphragm	comprising: 1 x Item 416***	K370-022

5.2.4 Spare parts kit for regulating assembly 2-0 DN 25 + DN 50

Version from 04/2013

Designation	Description	NBR part No.	FKM part No.
Spare parts kit HON 370 DN 25 Regulating assembly 2-0 Valve seat ø 25	comprising:	K370-023	K370-058
	▪ 1 x Item 452		
	▪ 1 x Item 457		
	▪ 1 x Item 460*		
	▪ 2 x Item 466		
	▪ 1 x Item 471		
	▪ 1 x Item 472		
	▪ 1 x Item 473		
	▪ 1 x Item 476**		
	▪ 1 x Item 480		
	▪ 1 x Item 481		
	▪ 1 x Item 484		
	▪ 1 x Item 488		
	▪ 1 x Item 490		
▪ 1 x Item 491			

Designation	Description	NBR part No.	FKM part No.
Spare parts kit HON 370 DN 25+50 Regulating assembly 2-0 Valve seat ø 31	comprising:	K370-024	K370-059
	▪ 1 x Item 452		
	▪ 1 x Item 457		
	▪ 1 x Item 460*		
	▪ 2 x Item 466		
	▪ 1 x Item 471		
	▪ 1 x Item 472		
	▪ 1 x Item 473		
	▪ 1 x Item 476**		
	▪ 1 x Item 480		
	▪ 1 x Item 481		
	▪ 1 x Item 484		
	▪ 1 x Item 488		
	▪ 1 x Item 490		
▪ 1 x Item 491			

5.2.4 Spare parts kit for regulating assembly 2-0 DN 25 + DN 50

Version from 04/2013

Designation	Description	NBR part No.	FKM part No.
Spare parts kit HON 370 DN 50 Regulating assembly 2-0 Valve seat ø 50	comprising:	K370-025	K370-060
	▪ 1 x Item 452		
	▪ 1 x Item 457		
	▪ 1 x Item 460*		
	▪ 2 x Item 466		
	▪ 1 x Item 471		
	▪ 1 x Item 472		
	▪ 1 x Item 473		
	▪ 1 x Item 476**		
	▪ 1 x Item 480		
	▪ 1 x Item 481		
	▪ 1 x Item 484		
	▪ 1 x Item 488		
	▪ 1 x Item 490		
▪ 1 x Item 491			

5.2.5 Spare parts kit for regulating assembly 2-0 DN 80 + DN 100

Version from 04/2013

Designation	Description	NBR part No.	FKM part No.
Spare parts kit HON 370 DN 80+100 Regulating assembly 2-0 Valve seat ø 60	comprising:	K370-026	K370-061
	▪ 1 x Item 452		
	▪ 1 x Item 457		
	▪ 1 x Item 460*		
	▪ 2 x Item 466		
	▪ 1 x Item 471		
	▪ 1 x Item 472		
	▪ 1 x Item 473		
	▪ 1 x Item 476**		
	▪ 1 x Item 480		
	▪ 1 x Item 481		
	▪ 1 x Item 484		
	▪ 1 x Item 488		
	▪ 1 x Item 490		
▪ 1 x Item 499			

5.2.5 Spare parts kit for regulating assembly 2-0 DN 80 + DN 100

Version from 04/2013

Designation	Description	NBR part No.	FKM part No.
Spare parts kit HON 370 DN 80+100	comprising:		
Regulating assembly 2-0	▪ 1 x Item 452		
Valve seat ø 80	▪ 1 x Item 457		
	▪ 1 x Item 460*		
	▪ 2 x Item 466		
	▪ 1 x Item 471		
	▪ 1 x Item 472		
	▪ 1 x Item 473	K370-027	K370-062
	▪ 1 x Item 476**		
	▪ 1 x Item 480		
	▪ 1 x Item 481		
	▪ 1 x Item 484		
	▪ 1 x Item 488		
	▪ 1 x Item 490		
	▪ 1 x Item 491		
	▪ 1 x Item 499		

Designation	Description	NBR part No.	FKM part No.
Spare parts kit HON 370 DN 100	comprising:		
Regulating assembly 2-0	▪ 1 x Item 452		
Valve seat ø 100	▪ 1 x Item 457		
	▪ 1 x Item 460*		
	▪ 2 x Item 466		
	▪ 1 x Item 471		
	▪ 1 x Item 472		
	▪ 1 x Item 473		
	▪ 1 x Item 476**	K370-028	K370-063
	▪ 1 x Item 480		
	▪ 1 x Item 481		
	▪ 1 x Item 484		
	▪ 1 x Item 488		
	▪ 1 x Item 490		
	▪ 1 x Item 491		
	▪ 1 x Item 499		

5.2.6 Spare parts kits for regulating assembly 2-0 DN 25 and DN 50

Version up to 03/2013

Designation	Description	NBR part No.
Spare parts kit HON 370 DN 25 Regulating assembly 2-0 Valve seat ø 25	comprising: <ul style="list-style-type: none"> ▪ 1 x Item 1450 ▪ 1 x Item 1456 ▪ 1 x Item 1459* ▪ 1 x Item 1460 ▪ 1 x Item 1462 ▪ 1 x Item 1463 ▪ 1 x Item 1467 ▪ 1 x Item 1468 ▪ 1 x Item 1472 ▪ 1 x Item 1473 ▪ 4 x Item 1478 ▪ 1 x Item 1482** ▪ 1 x Item 1486 ▪ 1 x Item 1489 ▪ 1 x Item 1498 ▪ 1 x Item 1500 	K370-029

Designation	Description	NBR part No.
Spare parts kit HON 370 DN 25+50 Regulating assembly 2-0 Valve seat ø 31	comprising: <ul style="list-style-type: none"> ▪ 1 x Item 1450 ▪ 1 x Item 1456 ▪ 1 x Item 1459* ▪ 1 x Item 1460 ▪ 1 x Item 1462 ▪ 1 x Item 1463 ▪ 1 x Item 1467 ▪ 1 x Item 1468 ▪ 1 x Item 1472 ▪ 1 x Item 1473 ▪ 4 x Item 1478 ▪ 1 x Item 1482** ▪ 1 x Item 1486 ▪ 1 x Item 1489 ▪ 1 x Item 1498 ▪ 1 x Item 1500 	K370-030

5.2.6 Spare parts kits for regulating assembly 2-0 DN 25 and DN 50

Version up to 03/2013

Designation	Description	NBR part No.
Spare parts kit HON 370 DN 50	comprising:	
Regulating assembly 2-0	▪ 1 x Item 1450	
Valve seat ø 50	▪ 1 x Item 1456	
	▪ 1 x Item 1459*	
	▪ 1 x Item 1460	
	▪ 1 x Item 1462	
	▪ 1 x Item 1463	
	▪ 1 x Item 1467	
	▪ 1 x Item 1468	K370-031
	▪ 1 x Item 1472	
	▪ 1 x Item 1473	
	▪ 4 x Item 1478	
	▪ 1 x Item 1482**	
	▪ 1 x Item 1486	
	▪ 1 x Item 1489	
	▪ 1 x Item 1498	
	▪ 1 x Item 1500	

5.2.7 Spare parts kits for regulating assembly 2-0 DN 80

Version up to 03/2013

Designation	Description	NBR part No.
Spare parts kit HON 370 DN 80	comprising:	K370-032
Regulating assembly 0	▪ 1 x Item 1532	
Valve seat ø 60	▪ 1 x Item 1538*	
	▪ 1 x Item 1540	
	▪ 1 x Item 1550	
	▪ 1 x Item 1555	
	▪ 1 x Item 1559	
	▪ 1 x Item 1562	
	▪ 1 x Item 1565	
	▪ 1 x Item 1566	
	▪ 1 x Item 1569	
	▪ 2 x Item 1574	
	▪ 1 x Item 1576	
	▪ 1 x Item 1586	

Designation	Description	NBR part No.
Spare parts kit HON 370 DN 80	comprising:	K370-032
Regulating assembly 0	▪ 1 x Item 1532	
Valve seat ø 80	▪ 1 x Item 1538*	
	▪ 1 x Item 1540	
	▪ 1 x Item 1550	
	▪ 1 x Item 1555	
	▪ 1 x Item 1559	
	▪ 1 x Item 1562	
	▪ 1 x Item 1565	
	▪ 1 x Item 1566	
	▪ 1 x Item 1569	
	▪ 2 x Item 1574	
	▪ 1 x Item 1576	
	▪ 1 x Item 1586	

5.2. 8 Spare parts kits for HON 370 SSV unit, DN 25, DN 50, DN 80, DN 100 and DN 150

Designation	Description	NBR part No.	FKM part No.
Spare parts kit HON 370 DN 25 SSV unit	comprising: <ul style="list-style-type: none"> ▪ 1 x Item 602 ▪ 1 x Item 603 ▪ 1 x Item 608 ▪ 1 x Item 609 ▪ 1 x Item 635 ▪ 1 x Item 637 ▪ 1 x Item 650 ▪ 1 x Item 660 ▪ 1 x Item 662 ▪ 1 x Item 664 ▪ 1 x Item 666 	K370-034	K370-064

Designation	Description	NBR part No.	FKM part No.
Spare parts kit HON 370 DN 50 SSV unit	comprising: <ul style="list-style-type: none"> ▪ 1 x Item 602 ▪ 1 x Item 603 ▪ 1 x Item 608 ▪ 1 x Item 609 ▪ 1 x Item 635 ▪ 1 x Item 637 ▪ 1 x Item 650 ▪ 1 x Item 660 ▪ 1 x Item 662 ▪ 1 x Item 664 ▪ 1 x Item 666 ▪ 1 x Item 670 ▪ 1 x Item 671 	K370-035	K370-065

5.2. 8 Spare parts kits for HON 370 SSV unit, DN 25, DN 50, DN 80, DN 100 and DN 150

Designation	Description	NBR part No.	FKM part No.
Spare parts kit HON 370 DN 80 SSV unit	comprising: <ul style="list-style-type: none"> ▪ 1 x Item 602 ▪ 1 x Item 603 ▪ 1 x Item 608 ▪ 1 x Item 609 ▪ 1 x Item 635 ▪ 1 x Item 637 ▪ 1 x Item 650 ▪ 2 x Item 654 ▪ 1 x Item 660 ▪ 1 x Item 662 ▪ 1 x Item 664 ▪ 1 x Item 666 ▪ 1 x Item 670 ▪ 1 x Item 671 	K370-036	K370-066

Designation	Description	NBR part No.	FKM part No.
Spare parts kit HON 370 DN 100 SSV unit	comprising: <ul style="list-style-type: none"> ▪ 1 x Item 602 ▪ 1 x Item 603 ▪ 1 x Item 608 ▪ 1 x Item 609 ▪ 1 x Item 635 ▪ 1 x Item 637 ▪ 1 x Item 650 ▪ 2 x Item 654 ▪ 1 x Item 660 ▪ 1 x Item 662 ▪ 1 x Item 664 ▪ 1 x Item 666 ▪ 1 x Item 670 ▪ 1 x Item 671 	K370-037	K370-067

5.2. 8 Spare parts kits for HON 370 SSV unit, DN 25, DN 50, DN 80, DN 100 and DN 150

Designation	Description	NBR part No.	FKM part No.
Spare parts kit HON 370 DN 150 SSV unit	comprising: <ul style="list-style-type: none"> ▪ 1 x Item 602 ▪ 1 x Item 603 ▪ 1 x Item 608 ▪ 1 x Item 609 ▪ 1 x Item 635 ▪ 1 x Item 637 ▪ 1 x Item 650 ▪ 2 x Item 654 ▪ 1 x Item 660 ▪ 1 x Item 662 ▪ 1 x Item 664 ▪ 1 x Item 666 ▪ 1 x Item 670 ▪ 1 x Item 671 	K370-038	K370-068

Honeywell Process Solutions

1250 West Sam Houston Parkway
South
Houston, TX 77042
Tel.: 1-602-293-1866 Option 4

Osterholzstrasse 45
23123 Kassel, Germany
Tel.: +49 (0) 561 5007000

Emaar Business Park, Building 2,
Sheikh Zayed Road, PO Box 232362
Dubai, United Arab Emirates
Tel.: +97144505800

Honeywell Engineering Sdn Bhd
1st Floor, Block B, No. 10
Jalan Bersaru 13/4
46200, Petaling Jaya Selangor DE,
Malaysia
Tel.: +603 7626 57000

A1 Building, C&W Industry Zone
No. 14, Jiuxiangqiao Rd., Chaoyang
District, Beijing, P.R. China 100015
Tel.: +8610-56696001

www.honeywellprocess.com
www.hongastec.de

May 2019
© 2017 Honeywell International Inc.

The Honeywell logo is displayed in a bold, red, sans-serif font.